

HP447

Desktop Swivel Mount

For 32" to 47" (81-119cm) Flat Panel TVs with VESA® 200 x 100 and 200 x 200mm mounting hole pattern

The HP447 series flat-panel Desktop Swivel Mount offers a secure, functional and sleek desktop surface mount for hospitality applications. Designed to seamlessly connect to a variety of flat panel screen models while its deeper adapter plate allows for easy access to cable input connections. The built-in adapter plate is VESA® 200 x 100 and 200 x 200mm compliant and comes with security screws to deter tampering and theft. The mount provides more than just aesthetics and theft deterrence with its swivel range from 0° to 360° it delivers virtually any viewing angle within its diameter. Completing the package is the mounts' decorative base and internal cable management that give it a clean, clutter-free appearance.



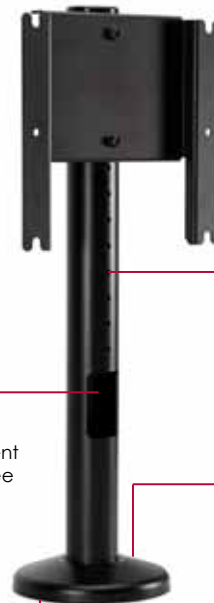
TV size: 32"-47" (81-119cm)



Max load: 75lb (34kg)

FEATURES

- Built-in swivel up to 360° allows for optimum viewing angle
- Base stand bolts down for safety and security
- Adjustable height allows for greater flexibility
- Cable management internally through the mount and down through the mounting surface
- Decorative base is aesthetically pleasing and hides desktop mounting hardware
- Built in adapter plate is VESA® 200 x 100 and 200 x 200mm compliant
- Increased depth adapter plate allows for the jack pack protrusion on the backside of the TV
- Security screws prevent tampering and theft



■ **ADJUSTABLE HEIGHTS**
Easy vertical adjustment to accommodate various height requirements

■ **CLEAN APPLICATION**
Internal cable management delivers a clean, clutter-free profile

■ **OPTIMUM VIEWING ANGLE**
Offers up to 360° of swivel for flexible TV positioning, with swivel stops available at 40°, 60°, 120°, 180°, 210° and 240°

■ **SLOPE NUTS AND SECURITY SCREWS**
Prevent tampering or theft with unique sloped nuts at the base and security screws on the adapter plate



Swivel stops



Height adjustable



Slope nut security (shown without desktop surface)



HP447 Desktop Swivel Mount for 32" to 47" (81-119cm) Flat Panel TVs with VESA® 200 x 100 or 200 x 200mm mounting pattern

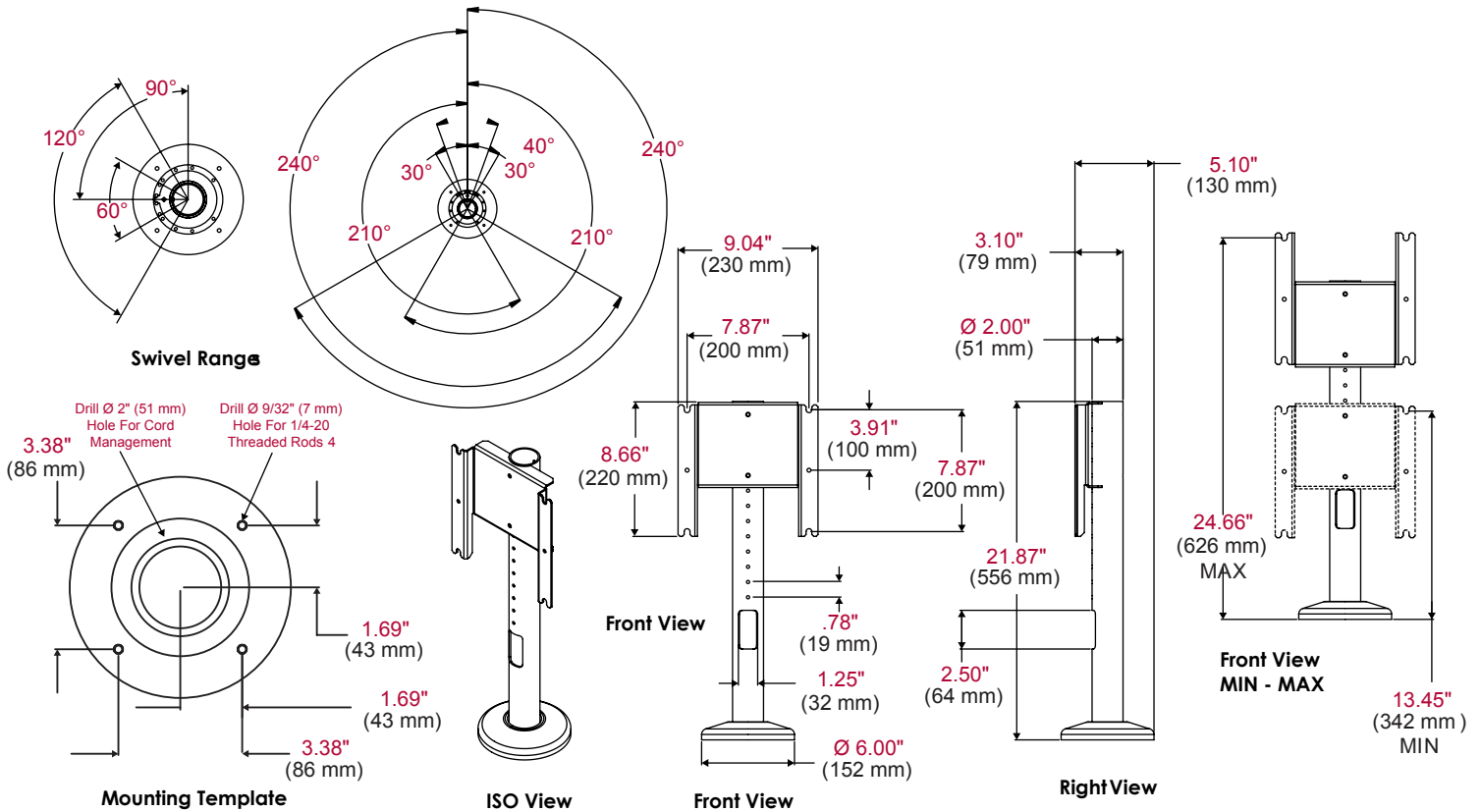
Product Specifications

	DIMENSIONS (W x H x D)	PRODUCT WEIGHT	LOAD CAPACITY	FINISH	AVAILABLE COLORS
HP447	9" x 21.9" x 6" (230 x 556 x 152mm)	10lb (5kg)	75lb (34kg)	Scratch resistant fused epoxy	Black

Package Specifications

	PACKAGE SIZE (L x W x H)	PACKAGE SHIP WEIGHT	PACKAGE UPC CODE	PACKAGE CONTENTS	UNITS IN PACKAGE
HP447	35.25" x 10.25" x 3.5" (895 x 260 x 89mm)	11.7lb (5kg)	735029291596	Support tube, base backer plate, desktop swivel base, adapter plate, fastener packet	1

All dimensions = inch (mm)



ARCHITECTS SPECIFICATIONS

The Desktop Swivel Mount shall be Peerless-AV model HP447 and shall be located where indicated on the plans. It shall be constructed of heavy gauge steel. The finish shall be scratch resistant black fused epoxy. Assembly and installation shall be done according to instructions provided by the manufacturer.

Peerless Industries, Inc. ■ 2300 White Oak Circle ■ Aurora, IL 60502 ■ (800) 865-2112 ■ (630) 375-5100 ■ Fax: (800) 359-6500 ■ peerless-av.com

Visit www.peerless-av.com to see the complete line of AV solutions from Peerless-AV, including flat panel mounts, projector mounts, carts/stands, furniture, cables, screen cleaners and a full assortment of accessories.