

DS-MBZ942L-3X1  
DS-MBZ947L-3X1



Display size

**DS-MBZ942L-3X1: 40"-42"**  
**DS-MBZ947L-3X1: 46"-48"**



Max load

**300lb**  
**(136kg)**

**SMARTMOUNT.**

# Digital Menu Board Ceiling Mount with 8pt Adjustment - Landscape

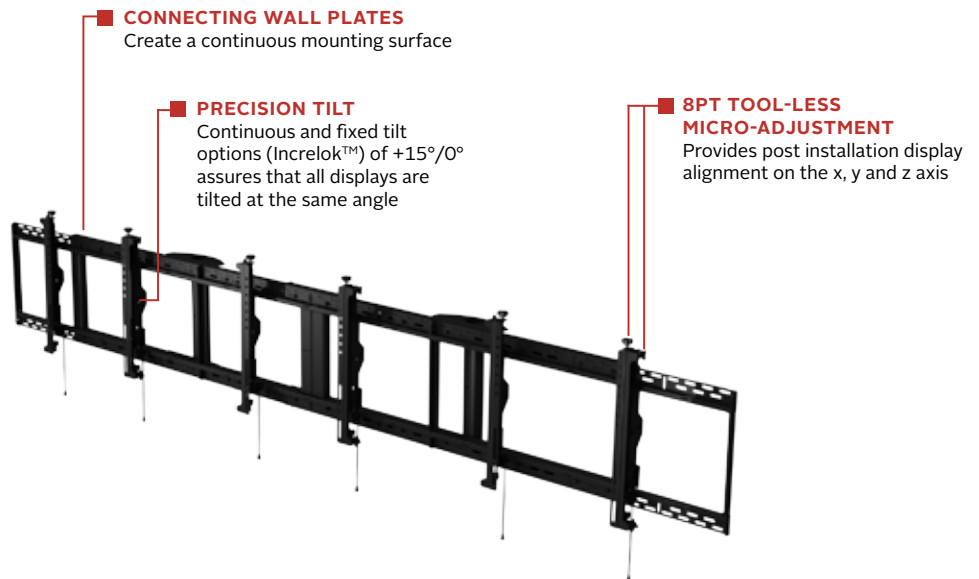
3X1 CONFIGURATION FOR 40" TO 48" DISPLAYS

Peerless-AV's quick service restaurant (QSR) Menu Board Ceiling Mount is designed to create a seamless mounting surface through connecting wall plates. Continuous and fixed tilt options allow all displays to be tilted at the same angle with ease, creating flawless alignment. The QSR Menu Board Mount has a tool-less 8pt adjustment to position all of the displays on the same plane. Quick connect adaptor rails quickly attach to the support frame with an auto latch, easing the set up and making the QSR Menu Board Mount the perfect mounting solution.

## Additional Features

- ✓ Connecting wall plates create a continuous mounting surface for ease of display alignment
- ✓ Quick connect latch automatically engages the wall plate when mounting the display for a speedy set-up and peace of mind
- ✓ Horizontal adjustment allows the installer to create a menu board with a seamless appearance
- ✓ Continuous and Increlok™ tilt options assure that all displays are tilted at the same angle to assure alignment
- ✓ Included security hardware deters tampering and theft
- ✓ Tool-less four corner depth adjustment aligns the displays on the same plane
- ✓ DS-MBZ942L-3X1 – landscape configuration for 40"-42" displays with mounting hole patterns 2658 x 400mm (104.65"W x 15.75"H)
- ✓ DS-MBZ947L-3X1 – landscape configuration for 46"-48" displays with mounting hole patterns 2944 x 400mm (115.90"W x 15.75"H)

**With the tool-less 8pt adjustment feature on the adaptor brackets, you can create flawless alignment with ease.**



**RoHS**

**DS-MBZ942L-3X1** SmartMount® Digital Menu Board Ceiling Mount with 8pt Adjustment 3x1 Configuration for 40"-42" Displays - Landscape  
**DS-MBZ947L-3X1** SmartMount® Digital Menu Board Ceiling Mount with 8pt Adjustment 3x1 Configuration for 46"-48" Displays - Landscape

**Product Specifications**

	DIMENSIONS (W x H x D)	PRODUCT WEIGHT	LOAD CAPACITY	FINISH	AVAILABLE COLORS
<b>DS-MBZ942L-3X1</b>	105.00" x 19.49" x 7.47" (2667 x 495 x 190mm)	86.9lb (39.5kg)	300lb (136kg)	Matte/Flat	Black
<b>DS-MBZ947L-3X1</b>	116.25" x 19.49" x 7.47" (2953 x 495 x 190mm)	88.4lb (40.2kg)			

**Package Specifications**

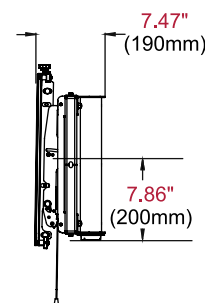
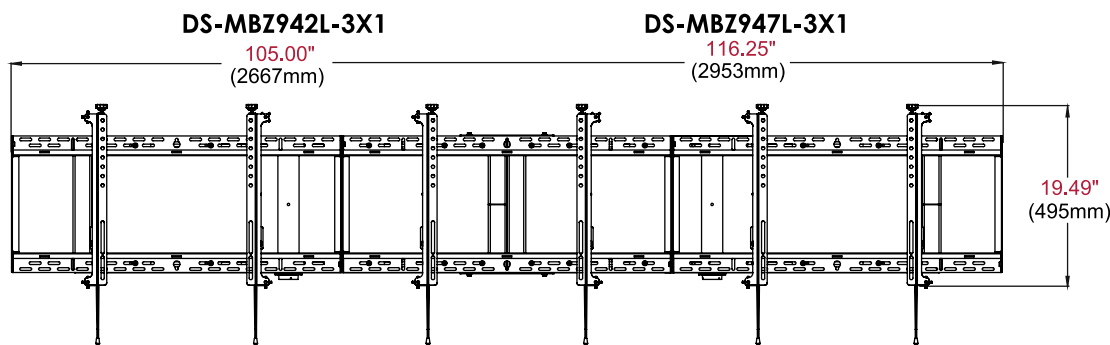
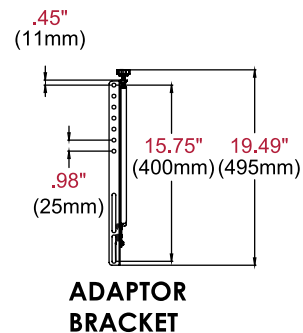
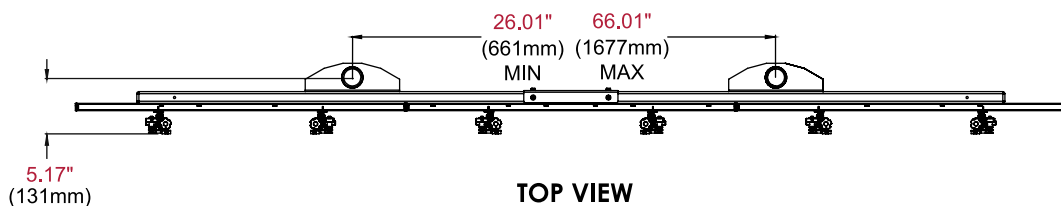
	PACKAGE SIZE (W x H x D)	PACKAGE SHIP WEIGHT	PACKAGE UPC CODE	PACKAGE CONTENTS	UNITS IN PACKAGE
<b>DS-MBZ942L-3X1</b>	47.00" x 17.00" x 18.00" (1194 x 432 x 457mm)	104.4lb (47.4kg)	735029308164	Mount frame, adaptor rails and display mounting hardware	1
<b>DS-MBZ947L-3X1</b>		105.9lb (48.1kg)	735029308195		

**Accessories**

**ADD, EXT Models:** Ceiling Extensions (ADD0203\*-ADD1012, EXT018 - EXT110)  
 \*Minimum obtainable length is 31"  
**ACC-MBS:** Menu Board Shelf

**DCS, DCT Models:** Ceiling Plates  
**MOD-P100/150/200/300(-B):** Modular Series Ceiling Pole  
**MOD-CPF, MOD-CPI, MOD-CPC:** Modular Series Ceiling Plates  
**MOD-ASC:** Display Mount Stacking Clamp

All dimensions = inch (mm)



**FRONT VIEW**

**SIDE VIEW  
15° TILT**

**Architect Specifications**

The Smartmount® Digital Menu Board Ceiling Mount with 8pt Adjustment shall be a Peerless-AV model DS-MBZ942L-3X1 or DS-MBZ947L-3X1 and shall be located where indicated on the plans. Assembly and installation shall be done according to instructions provided by the manufacturer.

Visit [peerless-av.com](http://peerless-av.com) to see the complete line of AV solutions from Peerless-AV, including outdoor displays, wireless, kiosks, digital audio, display mounts, projector mounts, carts/stands, and a full assortment of accessories.

**Peerless-AV**  
 2300 White Oak Circle  
 Aurora, IL 60502 USA  
**(800) 865-2112**  
**(630) 375-5100**  
**Fax: (800) 359-6500**

**Peerless-AV Europe**  
 Unit 3 Watford Interchange  
 Colonial Way, Watford  
 Herts, WD24 4WP  
 United Kingdom  
**+44 (0) 1923 200100**  
**Fax: +44 (0) 1923 200101**

**Peerless-AV de México**  
 Ave de las Industrias 413  
 Parque Industrial Escobedo  
 Escobedo, N.L.,  
 Mexico 66050  
**+52 (81) 8384-8300**  
**Fax: +52 (81) 8384-8360**

