

# TECHNICAL DATA SHEET - Cord Wrap

**peerless**<sup>®</sup>  
Solid Solutions - Solid Support™

MODELS: ACC 852, ACC 852W, ACC 852S, ACC 856,  
ACC 856W

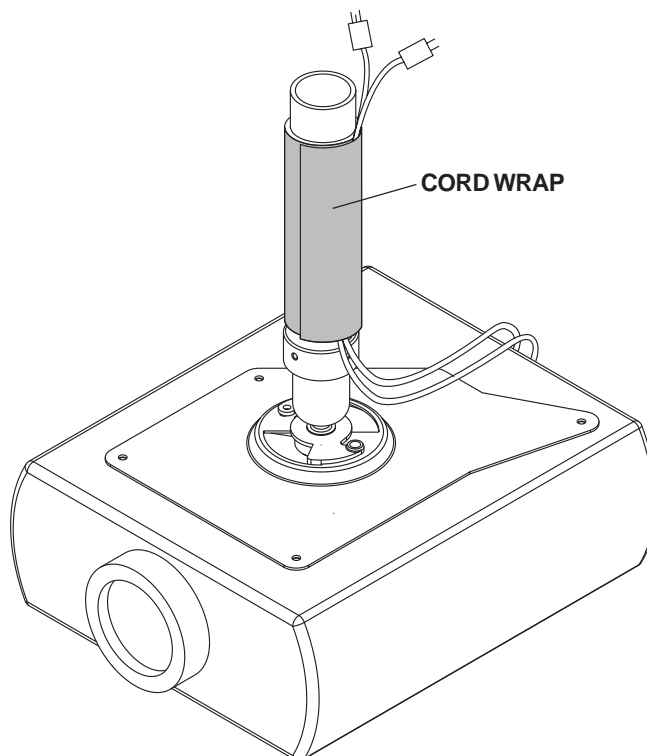


The **Cord Wrap** cord management accessory was designed to neatly conceal cords that are routed along the outside of an extension column and is offered in black, white, or silver. Sections can be stacked to create longer lengths or cut to desired length. The cord wrap is ideal for projector installations that do not allow cords to be routed internally through the extension column.

### Features:

- ACC 852 (black), ACC 852W (white), and ACC 852S (silver) include four 2' sections
- ACC 856 (black) and ACC 856W (white) include four 6' sections
- Made of durable, flexible, low-density polyethylene
- Neatly conceals cords along the outside of extension column
- Sections can be stacked or cut to create desired length
- Can be used with Vector Pro, Vector Pro Plus, Encore, or any other installation type incorporating an extension column

Diameter of cords and column should not exceed 2<sup>3</sup>/<sub>4</sub>" to allow wrap to overlap itself.



MODEL #	WEIGHT	SHIPPING WEIGHT	SHIPPING CARTON DIMENSIONS
ACC 852 ACC 852W ACC852S	1.4 (0.6)	2 (1)	4 x 4 x 25 (102 x 102 x 635)
ACC 856 ACC 856W	4.3 (2.0)	6 (3)	4 x 14 x 73 (102 x 356 x 1,854)

NOTES: All dimensions shown as inch / (mm)  
All weights shown as pounds / (kg)

## ARCHITECTS SPECIFICATIONS

The Cord Wrap shall be a Peerless model **ACC 852, ACC 852W, ACC 852S, ACC 856, or ACC 856W** and shall be made of durable, flexible black low density polyethylene. ACC 852 has 2' sections, and ACC 856 has 6' sections. Melting point of material is 212° Fahrenheit / 94° Celsius. Installation and assembly shall be done in accordance with the instructions provided by the manufacturer.

Peerless Industries, Inc.  
3215 W. North Ave. Melrose Park, IL 60160  
708-865-8870 800-865-2112 Fax 708-865-2941  
[www.peerlessindustries.com](http://www.peerlessindustries.com)

ISSUED: 01-22-02 SHEET NO: 055-9571-4 04-16-03

©2003 Peerless Industries, Inc. All rights reserved.  
Peerless is a registered trademark of Peerless Industries, Inc.  
All other brand and product names are trademarks or registered trademarks of their respective owners.