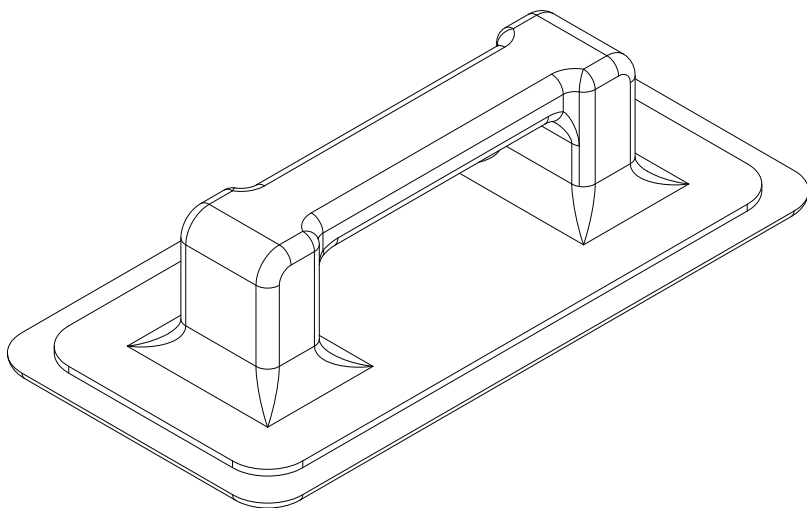


peerless-AV[®]

ACC-DHK ACC-DHP6

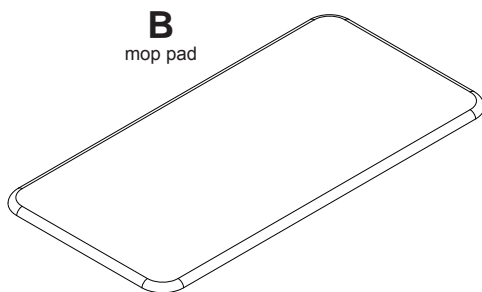
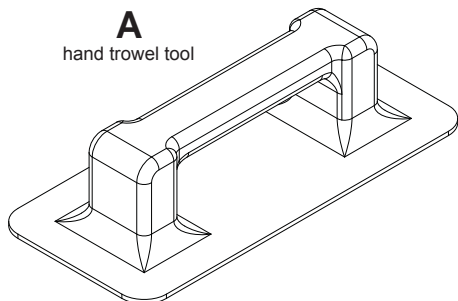


| |
|-----|
| ENG |
| ESP |
| FRN |
| DEU |
| NEL |
| ITL |
| ČEŠ |
| SLK |
| POR |
| TÜR |

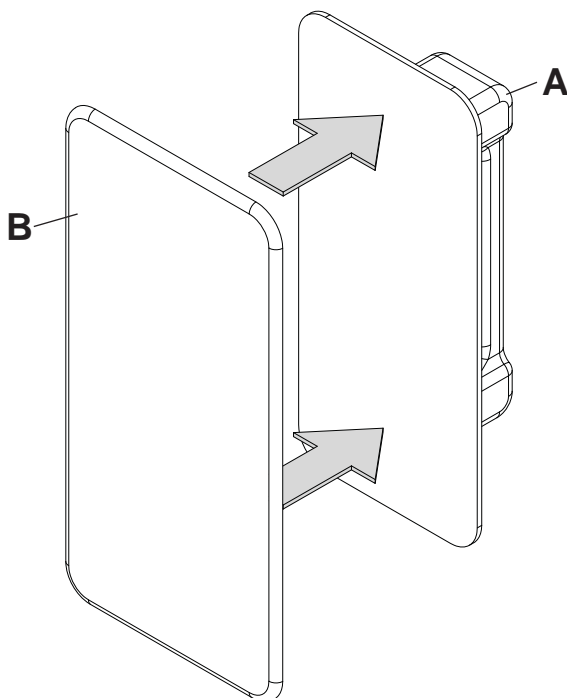


| | |
|-----|---|
| ENG | Parts (Before beginning, make sure you have all parts shown below). |
| ESP | Piezas (antes de iniciar, asegúrese de tener todas las piezas siguientes). |
| FRN | Pièces (avant de commencer, assurez-vous d'avoir toutes les pièces illustrées ci-dessous). |
| DEU | Teile (Achten Sie vor Beginn der Arbeiten darauf, dass alle unten abgebildeten Teile vorhanden sind). |
| NEL | Onderdelen (hoort u zich ervan te overtuigen dat u alle onderdelen hebt, die hieronder te zien zijn). |
| ITL | Parti (prima di iniziare, accertarsi di disporre tutte le parti sotto indicate). |
| ČES | Díly (předtím, než začnete, připravte si všechny díly zobrazené níže). |
| SLK | Diely (predtým, ako začnete, pripravte si všetky diely zobrazené nižšie). |
| POR | Peças (antes de iniciar, certifique-se de que tem todas as peças apresentadas em baixo). |
| TÜR | Parçalar (Başlamadan önce, aşağıda gösterilen bütün parçaların elinizde olduğundan emin olun). |

| Parts List | | ACC-DHK | | ACC-DHP6 | |
|--------------------|-----|----------|-----|----------|--|
| Description | Qty | Part # | Qty | Part # | |
| A hand trowel tool | 2 | 600-0344 | 0 | - | |
| B mop pad | 4 | 600-0345 | 6 | 600-0345 | |

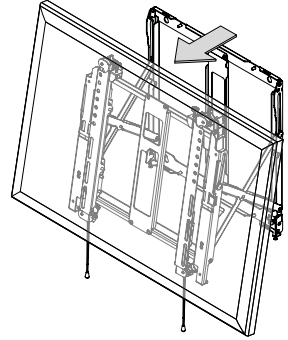
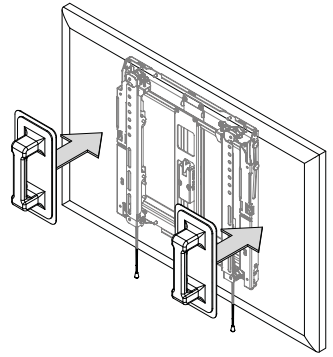


1



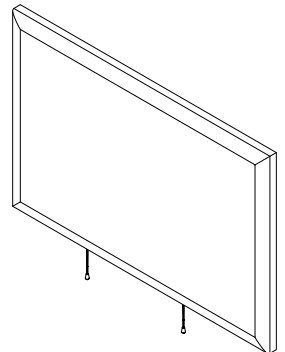
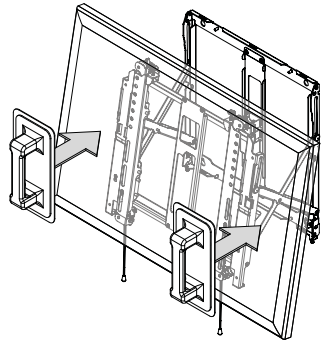
2-1

ENG Verify that pads (B) are free of any contaminants. Gently
ESP press on the front of the display with (2) pads spaced
FRN shoulder width apart to release mechanism.
DEU
NEM
ITL
ČES
SLK
POR
TÜR



2-2

ENG Gently press on the front of the display with (2) pads spaced
ESP shoulder width apart until the mount is re-engaged.
FRN
DEU
NEM
ITL
ČES
SLK
POR
TÜR



peerless-AV[®]

Peerless-AV
2300 White Oak Circle
Aurora, IL 60502
Email: tech@peerlessmounts.com
Ph: (800) 865-2112
Fax: (800) 359-6500
www.peerless-av.com

© 2014, Peerless Industries, Inc.

Peerless-AV Europe
Unit 3 Watford Interchange,
Colonial Way, Watford, Herts,
WD24 4WP, United Kingdom
Customer Care
44 (0) 1923 200 100
www.peerless-av.com

© 2014, Peerless Industries, Inc.

Peerless-AV de Mexico
Ave de las Industrias 413
Parque Industrial Escobedo
Escobedo N.L. Mexico 66050
Servicio al Cliente
01-800-849-65-77
www.peerless-av.com

© 2014, Peerless Industries, Inc.