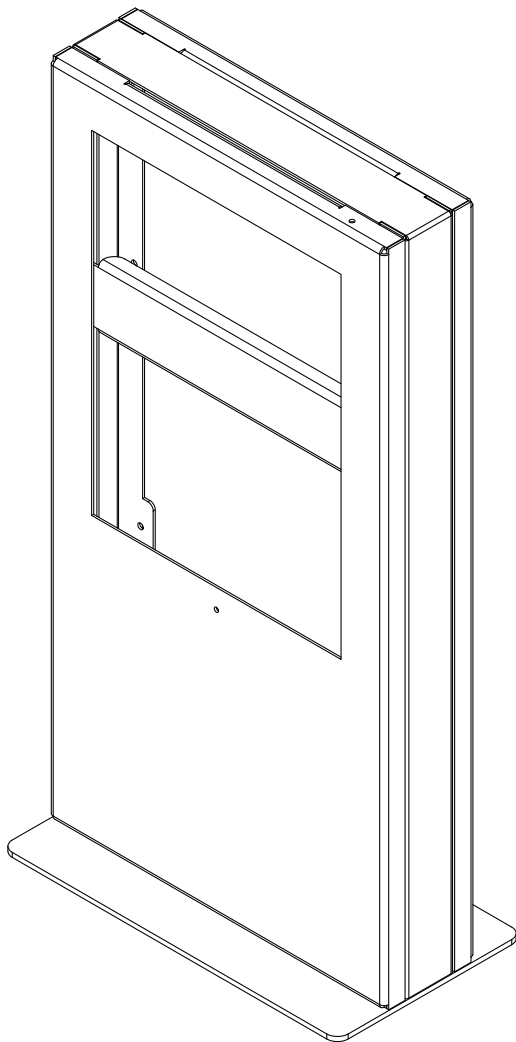


peerless-AV<sup>®</sup>

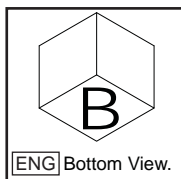
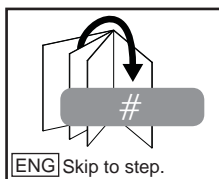
# KIP410I, KIP410I-S, KIP410I-AW



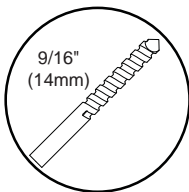
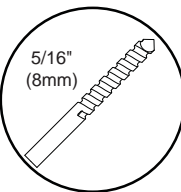
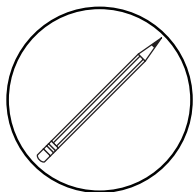
## ⚠ WARNING

ENG - This product is intended for indoor use only. Use of this product outdoors could lead to product failure or personal injury. For support please call customer care at 1-800-865-2112.

ENG Symbols



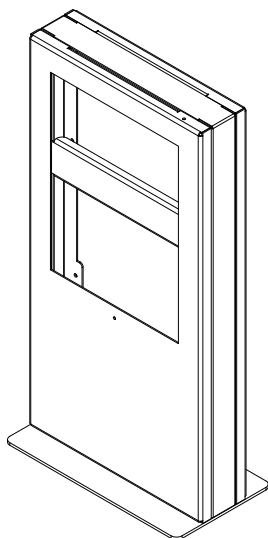
ENG Tools Needed for Assembly.



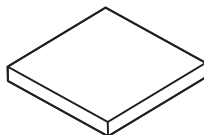
ENG Parts (Before beginning, make sure you have all parts shown below).

Parts List		KIP410I	KIP410I-S	KIP410I-AW
Description	Qty	Part #	Part #	Part #
A kiosk assembly	1	150-T1054	150-4054	150-S2054
B foam pad	4	570-0008	570-0008	570-0008
C 4mm security allen wrench	1	560-9646	560-9646	560-9646
D carriage bolt 1/4-20 x 1-3/4"	2	520-1017	520-1017	520-1017
E slope nut 1/4-20	3	530-0035	530-0035	530-0035

**A (1)**  
kiosk assembly



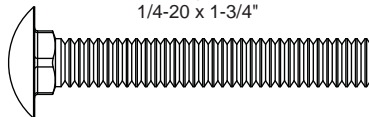
**B (4)**  
foam pad



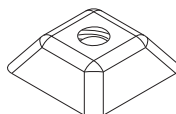
**C (1)**  
4mm security allen wrench



**D (2)**  
carriage bolt  
1/4-20 x 1-3/4"

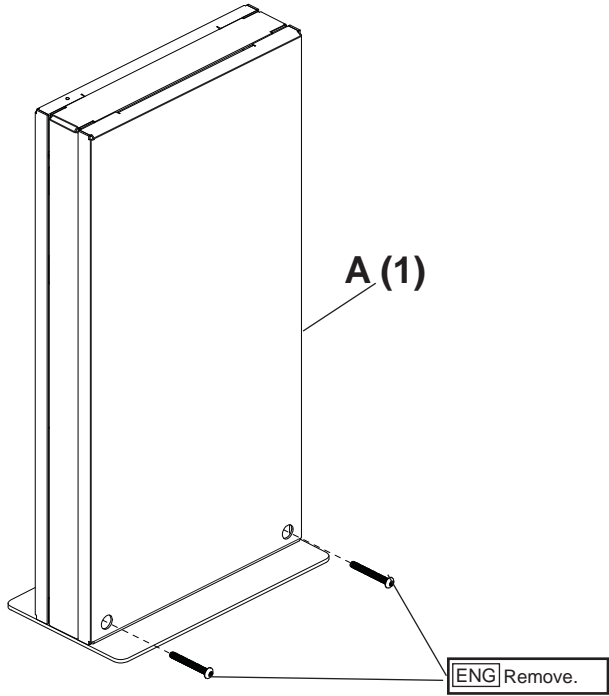
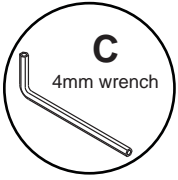


**E (3)**  
slope nut  
1/4-20

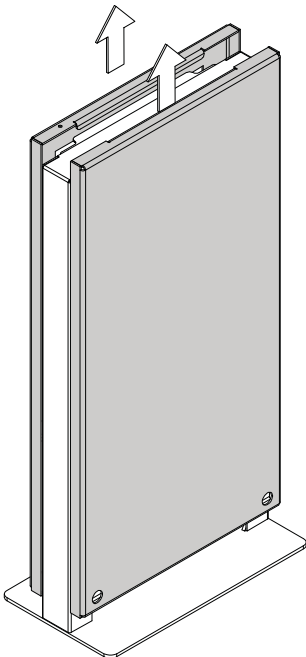


1-1

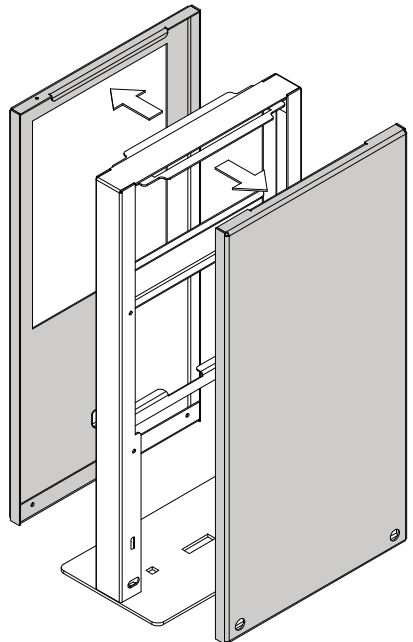
ENG



1-2

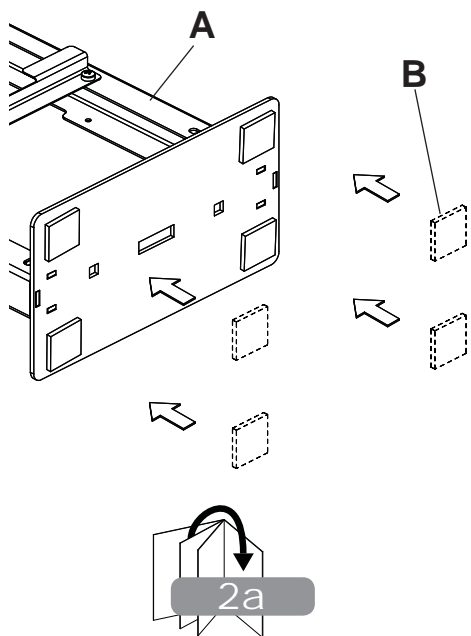


1-3

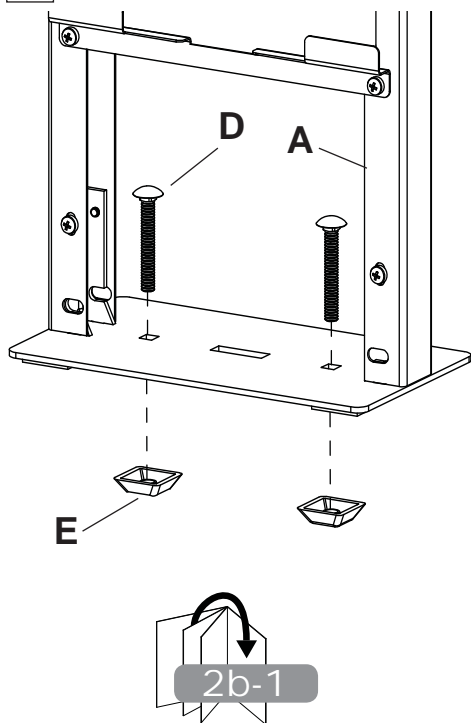


2

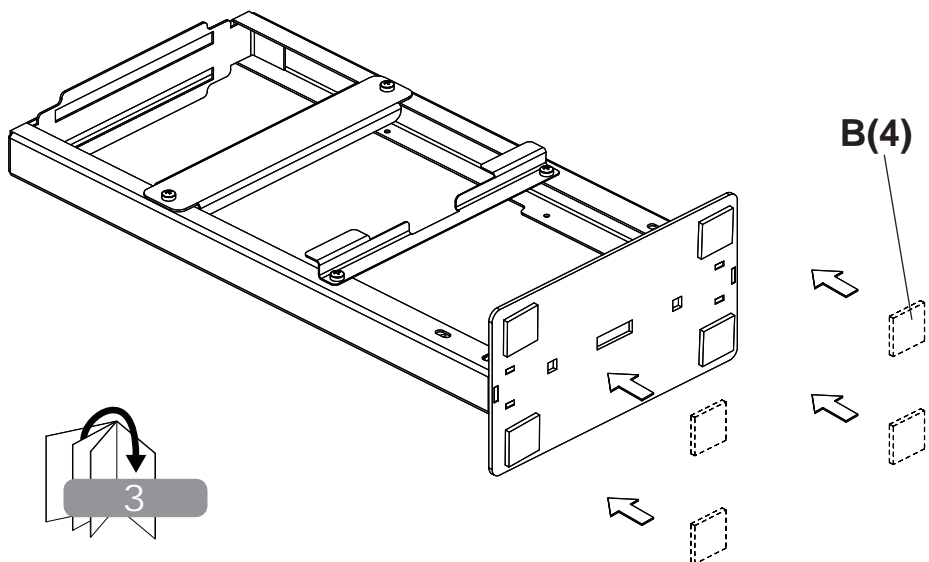
ENG Non-Secure installation



ENG Secure installation

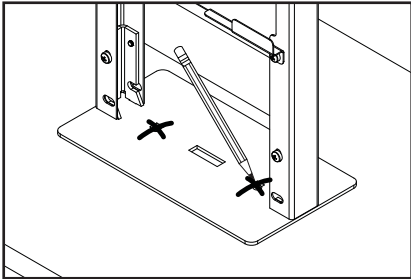
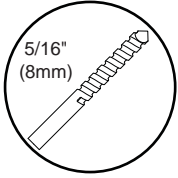
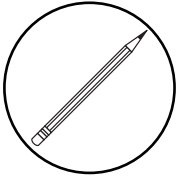


2a



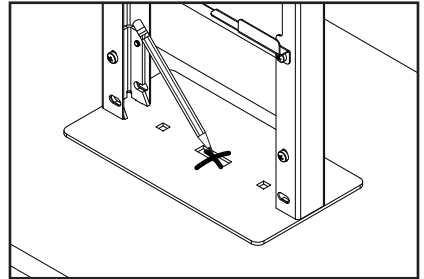
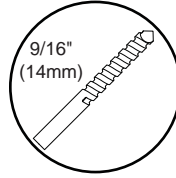
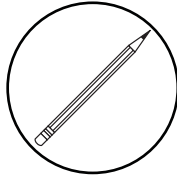
## 2b-1

**ENG** Mark and drill mounting holes.



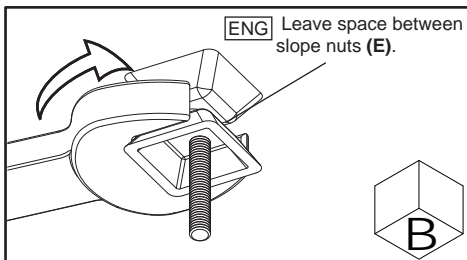
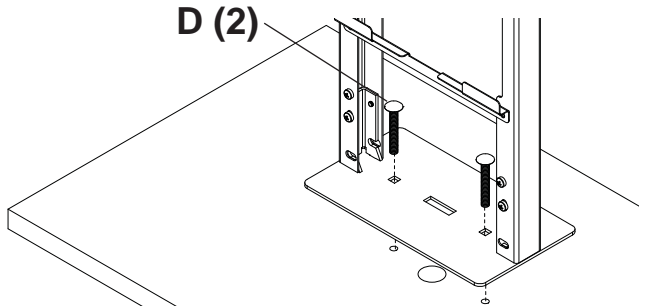
## 2b-2

**ENG** Mark and drill clearance hole for cable.



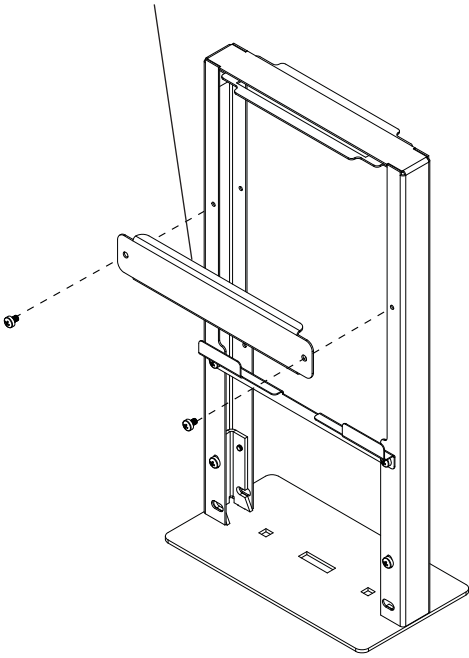
## 2c

**ENG** Install using hardware provided. Remove bottom slope nut (E) after tightening.

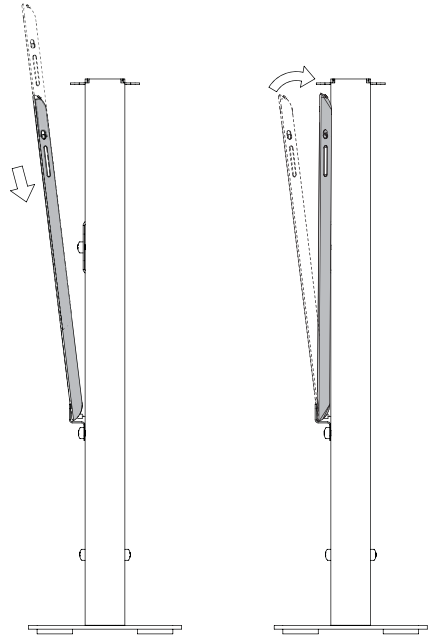


3

[ENG] Remove for first generation iPad® only.

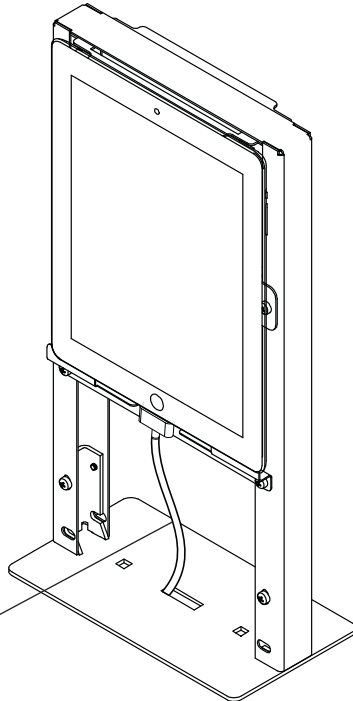


3-1

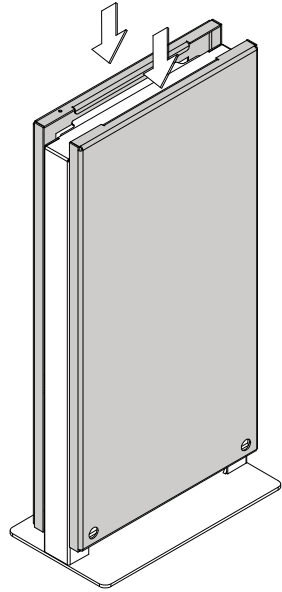
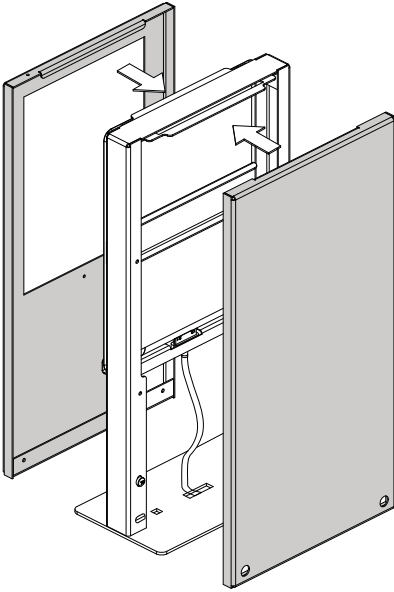


3-2

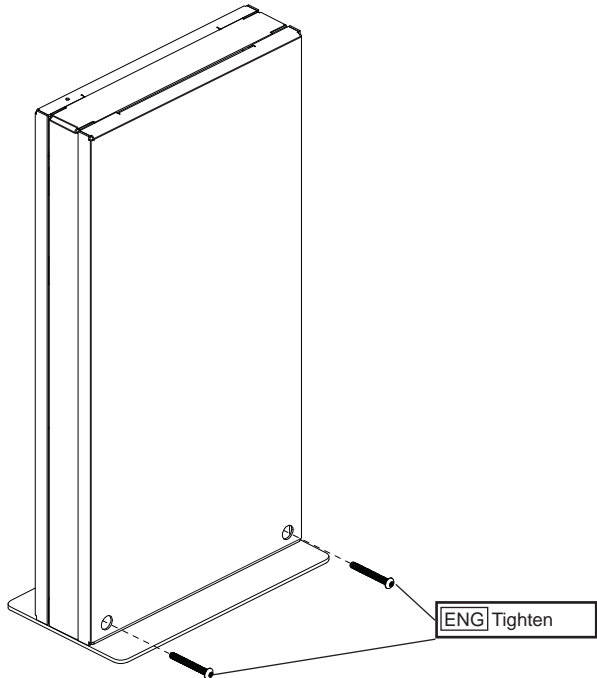
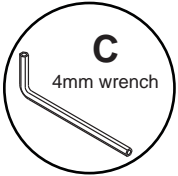
[ENG] Cord pass through



4



5



## LIMITED FIVE-YEAR WARRANTY

Peerless Industries, Inc. ("Peerless") warrants to original end-users of Peerless® products will be free from defects in material and workmanship, under normal use, for a period of five years from the date of purchase by the original end-user (but in no case longer than six years after the date of the product's manufacture). At its option, Peerless will repair or replace, or refund the purchase price of, any product which fails to conform with this warranty.

**In no event shall the duration of any implied warranty of merchantability or fitness for a particular purpose be longer than the period of the applicable express warranty set forth above.** Some states do not allow limitations on how long a implied warranty lasts, so the above limitation may not apply to you.

This warranty does not cover damage caused by (a) service or repairs by the customer or a person who is not authorized for such service or repairs by Peerless, (b) the failure to utilize proper packing when returning the product, (c) incorrect installation or the failure to follow Peerless' instructions or warnings when installing, using or storing the product, or (d) misuse or accident, in transit or otherwise, including in cases of third party actions and force majeure.

**In no event shall Peerless be liable for incidental or consequential damages or damages arising from the theft of any product, whether or not secured by a security device which may be included with the Peerless® product.** Some states do not allow the exclusion or limitation of incidental or consequential damages, so the above limitation or exclusion may not apply to you.

This warranty is in lieu of all other warranties, expressed or implied, and is the sole remedy with respect to product defects. No dealer, distributor, installer or other person is authorized to modify or extend this Limited Warranty or impose any obligation on Peerless in connection with the sale of any Peerless® product.

This warranty gives specific legal rights, and you may also have other rights which vary from state to state.

The logo for Peerless-AV features the word "peerless" in a bold, lowercase, red sans-serif font. To its right, the letters "AV" are enclosed in a red outline, with a registered trademark symbol (®) positioned to the upper right of the "V".

© 2013 Peerless Industries, Inc. Peerless-AV® is a registered trademark of Peerless Industries, Inc. All rights reserved.  
Other parties' marks are the property of their respective owners.

**Peerless-AV**  
2300 White Oak Circle  
Aurora, IL 60502  
Email: [tech@peerlessmounts.com](mailto:tech@peerlessmounts.com)  
Ph: (800) 865-2112  
Fax: (800) 359-6500  
[www.peerless-av.com](http://www.peerless-av.com)

**Peerless-AV Europe**  
Unit 3 Watford Interchange,  
Colonial Way, Watford, Herts,  
WD24 4WP, United Kingdom  
Customer Care  
44 (0) 1923 200 100  
[www.peerless-av.com](http://www.peerless-av.com)

**Peerless-AV de Mexico**  
Ave de las Industrias 413  
Parque Industrial Escobedo  
Escobedo N.L Mexico 66050  
Servicio al Cliente  
01-800-849-65-77  
[www.peerless-av.com](http://www.peerless-av.com)