



Installation and Assembly: LG Remote Jack Pack Mounting Bracket

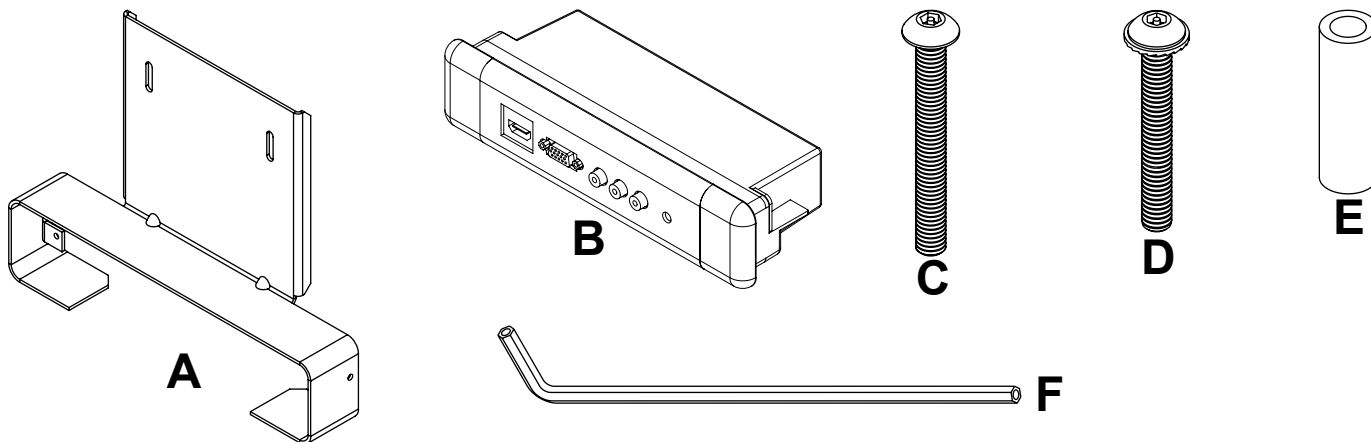
Models: HX632-LG-RJP, HX637-LG-RJP, HX642-LG-RJP

MODEL	LG DISPLAY COMPATIBILITY
HX632-LG-RJP	32LC5DC
	32LC50C
HX637-LG-RJP	37LC5DC
	37LC50C
HX642-LG-RJP	42LC5DC
	42LC50C

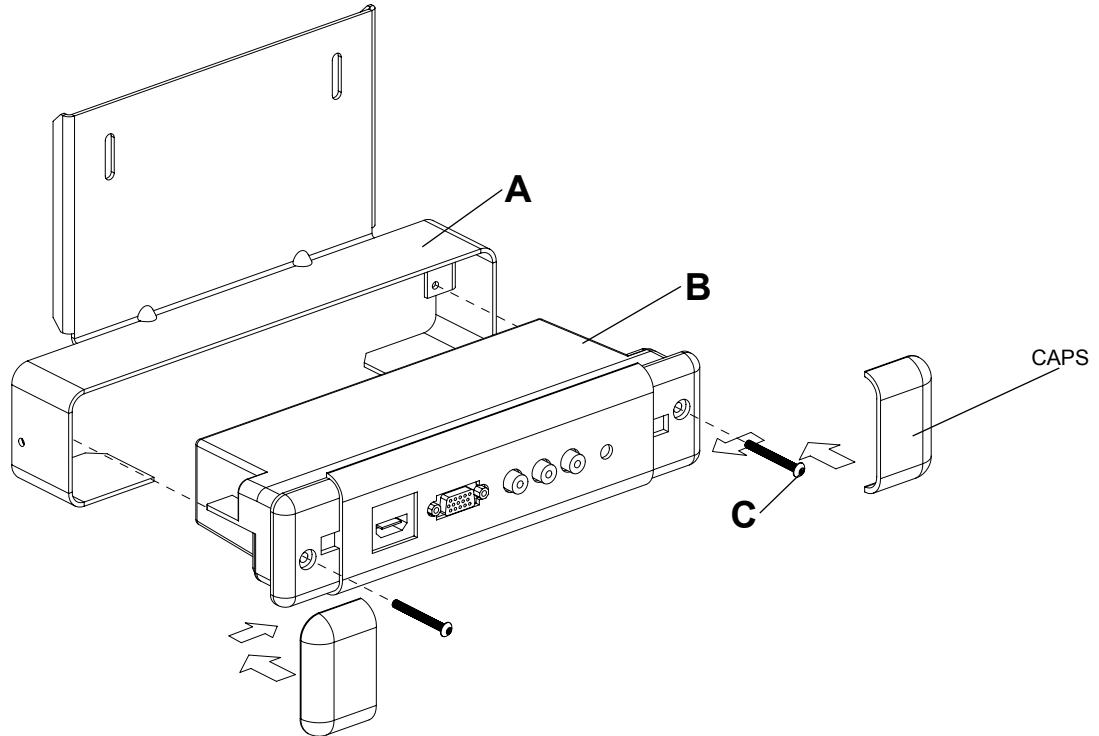
Before you begin, make sure all parts shown are included with your product.
Parts may appear slightly different than illustrated.

Parts List

Description	Qty.	HX632-LG-RJP	HX637-LG-RJP	HX642-LG-RJP
A mounting bracket	1	090-T1744	090-T1745	090-T1746
B LG Remote Jack Pack (RJP 202B)	1	600-0068	600-0068	600-0068
C M4 x 35 mm socket pin screw	2	520-1097	520-1097	520-1097
D M4 x 35 mm socket pin serrated washer head screw	2	510-1097	510-1097	510-1097
E 1/4" aluminum spacer	2	560-0204	560-0204	560-0204
F 4 mm security allen wrench	1	560-9646	560-9646	560-9646



- 1** Place LG Remote Jack Pack (**B**) into mounting bracket (**A**) and secure with two M4 x 35 mm socket pin screws (**C**) using 4 mm security allen wrench (**F**) as shown below. Fully tighten all fasteners. Re-attach plastic covers over fasteners (included with Remote Jack Pack).



- 2** Slide mounting bracket flange into underside base slot of display and secure with two M4 x 35 mm socket pin serrated washer head screws (**D**) and two 1/4" aluminum spacers (**E**) using 4 mm security allen wrench (**F**) as shown below. Tighten all fasteners.

