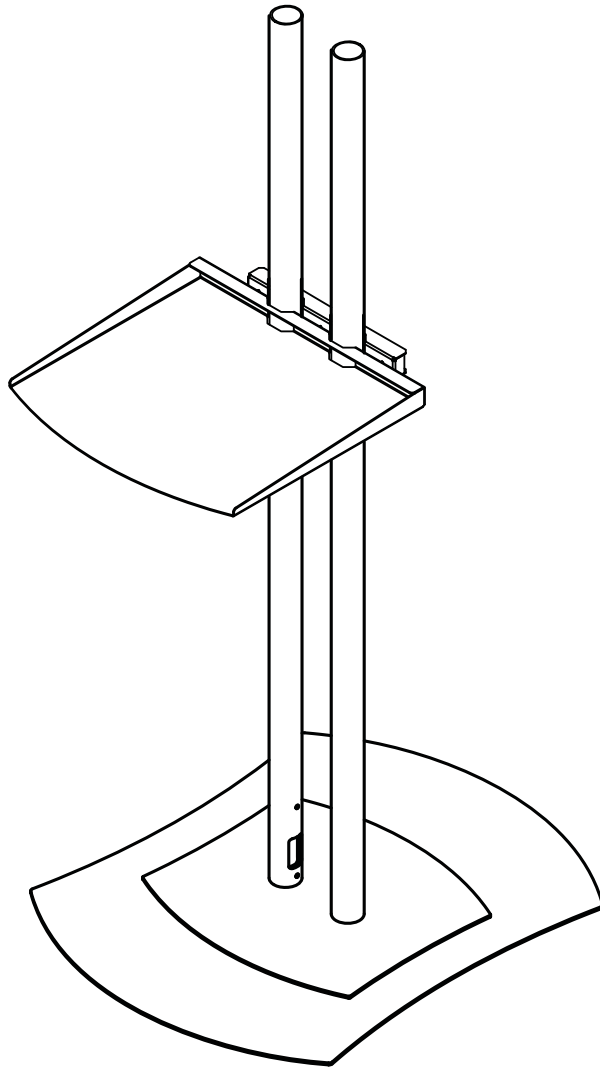


Installation and Assembly: AV COMPONENT SHELF

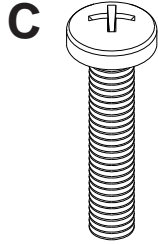
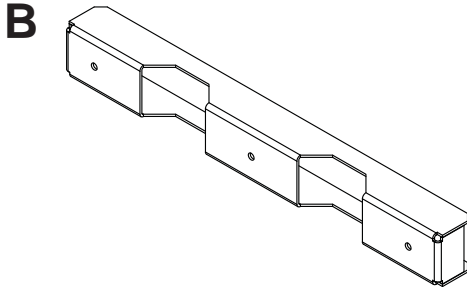
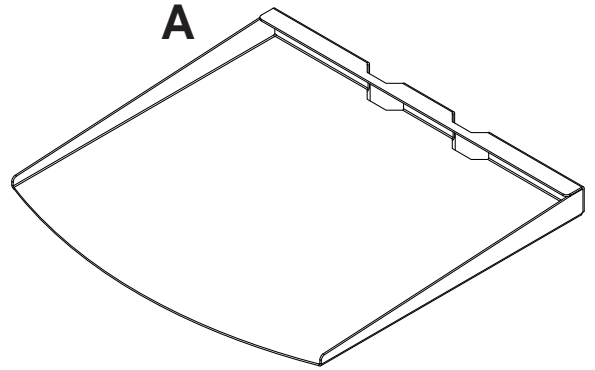
Model: ACC325



Max Load Capacity: 25 lb (11.3 kg)

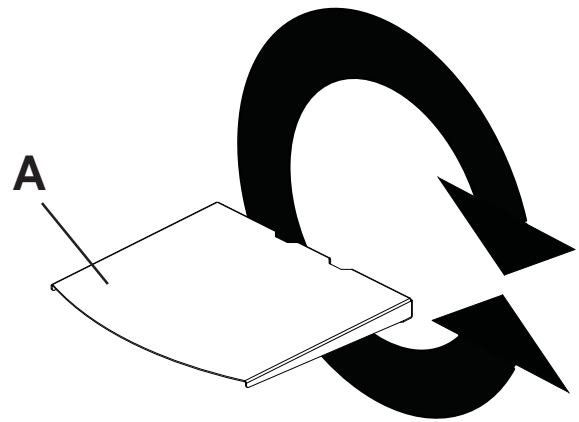
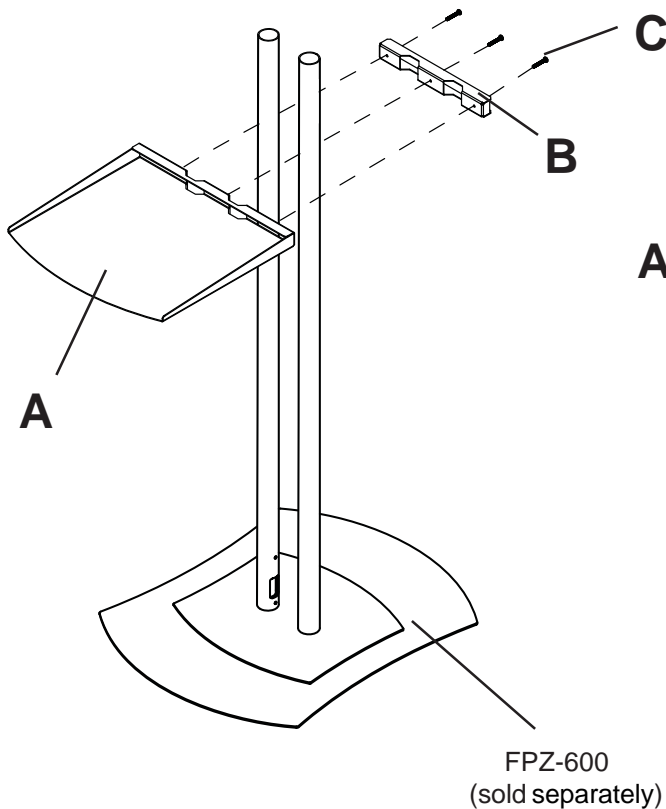
Parts List

Description	Qty.	Part #
A shelf	1	104-1069
B shelf bracket	1	104-1070
C M5 x 30 mm phillips screw	3	520-1042



- 1** **Note:** Installation requires an assistant.
Secure shelf (A) to FPZ-600 stand (sold separately) using shelf bracket (B) and three M5 x 30 mm phillips screws (C) at desired position.

Note: Shelf (A) can be flipped over and attached to stand in reverse orientation if desired as shown in detail 1.



DETAIL 1