



Installation and Assembly: Accessory for DSX750

Model: ACC950

NOTE: Read entire instruction sheet before you start installation and assembly.

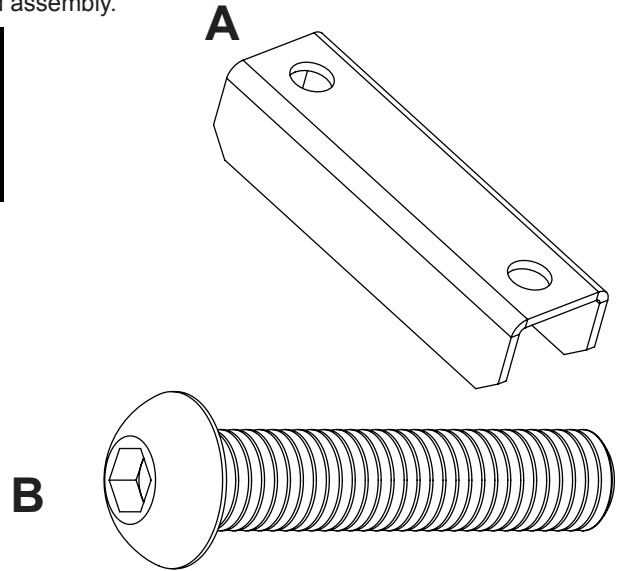
Parts List

Description	Qty.	Part #
A spacer	2	201-1716
B M10 x 40 mm socket screw	4	520-9706

Maximum Load Capacity:

	Max. Load
SA752PU	80 LBS
SA761PU	130 LBS
SA763PU	160 LBS
SA771PU	160 LBS

Before you start make sure all parts listed are included with your product.



Attaching Adapter Plate to Universal Adapter Bracket Using SA752PU, SA761PU, SA763PU, SA771PU

- 1 Secure adapter plate (not supplied) to universal adapter bracket with two spacers (A) and four M10 x 40 mm screws (B) as shown in below.

