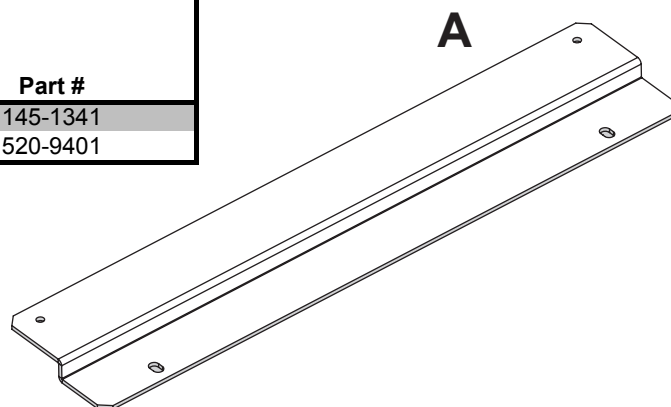
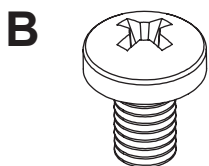


## Installation and Assembly: Adapter Brackets for Orion Display

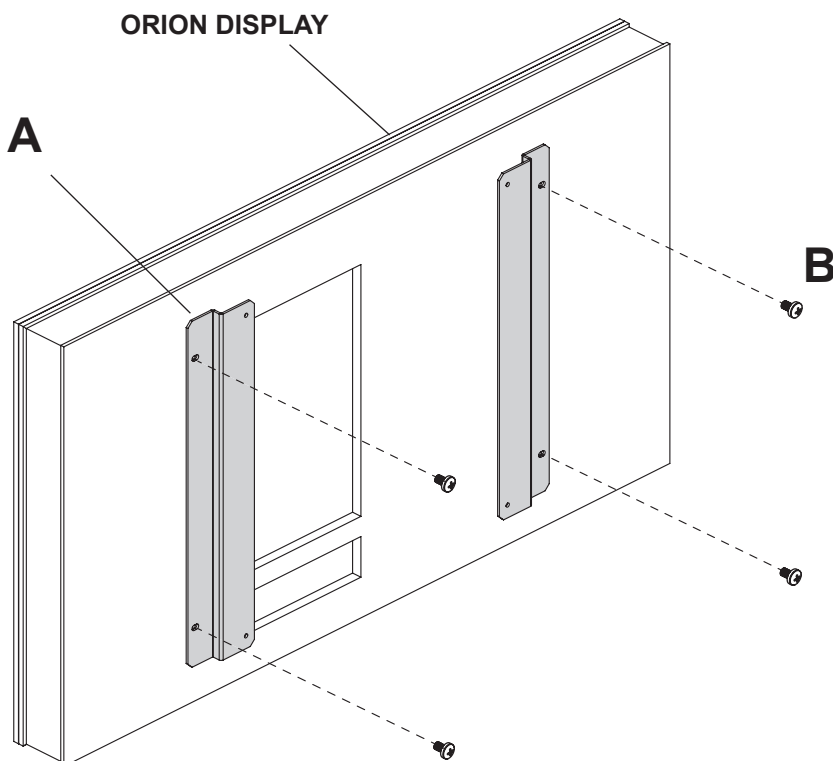
Model: DS-ACC780

### PARTS LIST

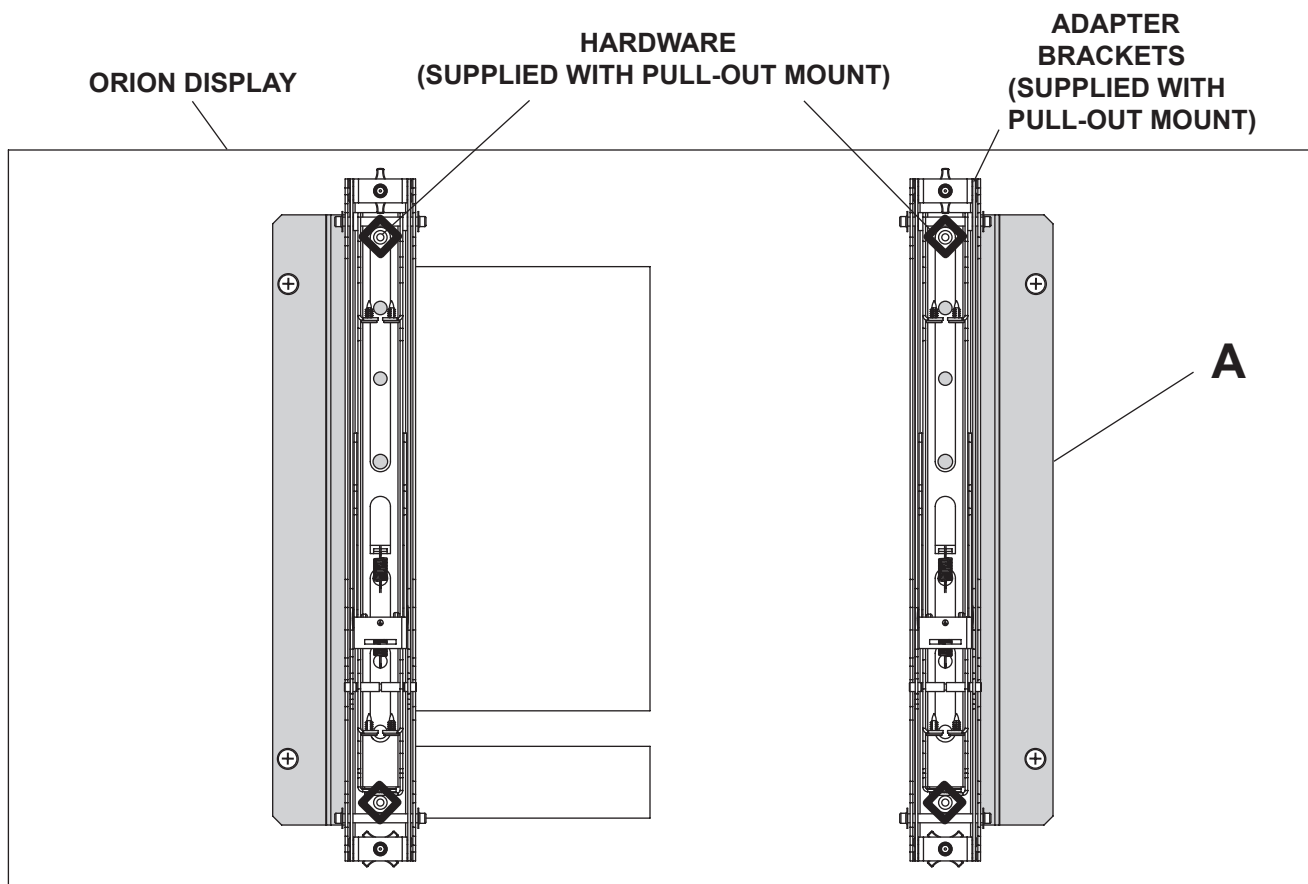
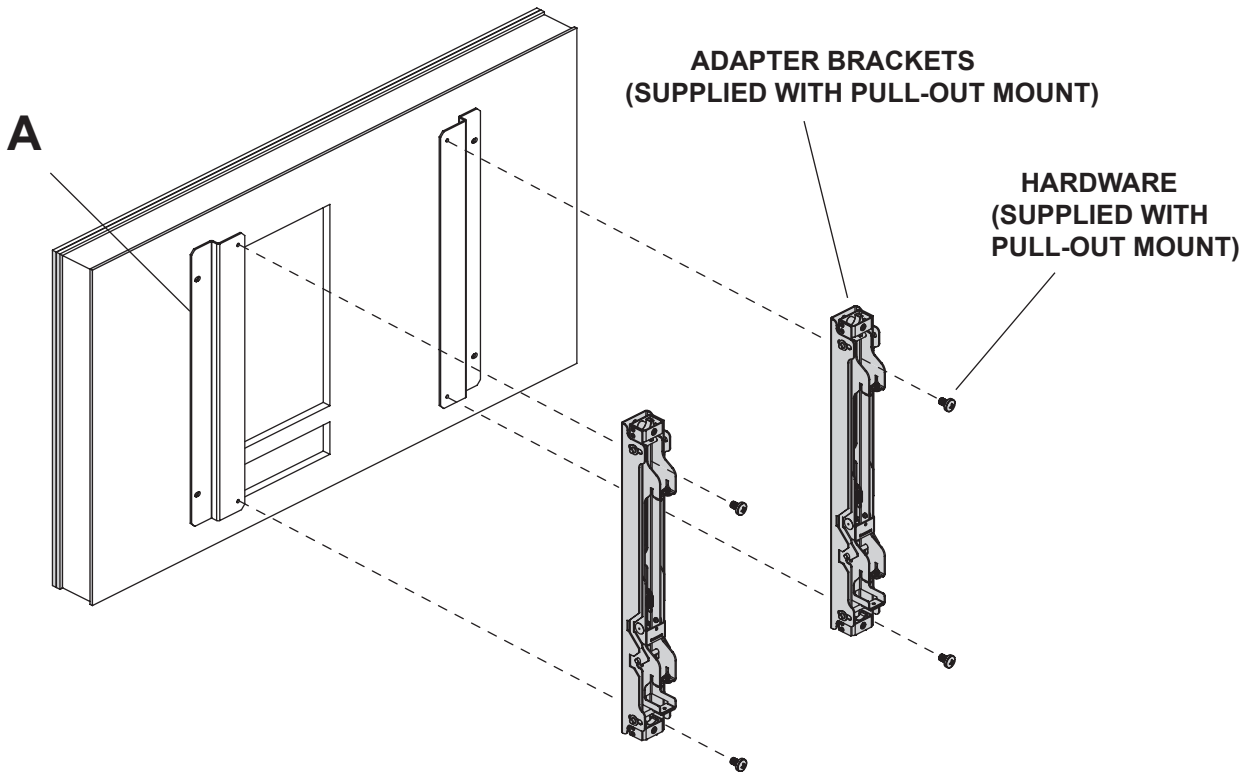
Description	Qty.	Part #
A adapter plate	2	145-1341
B M6 x 10 mm phillips screw	4	520-9401



- 1 Attach two adapter plates (A) to back of display using four M6 x 10 mm phillips screws (B) in orientation as shown below.



**2** Attach two adapter brackets (**Supplied with pull out mount**) together using hardware (**Supplied with pull out mount**) in location as shown in detail 1.



**DETAIL 1**