

# Installation and Assembly - Adapter Bracket for VESA® 600 x 400 Screens

Model: PLP V6X4

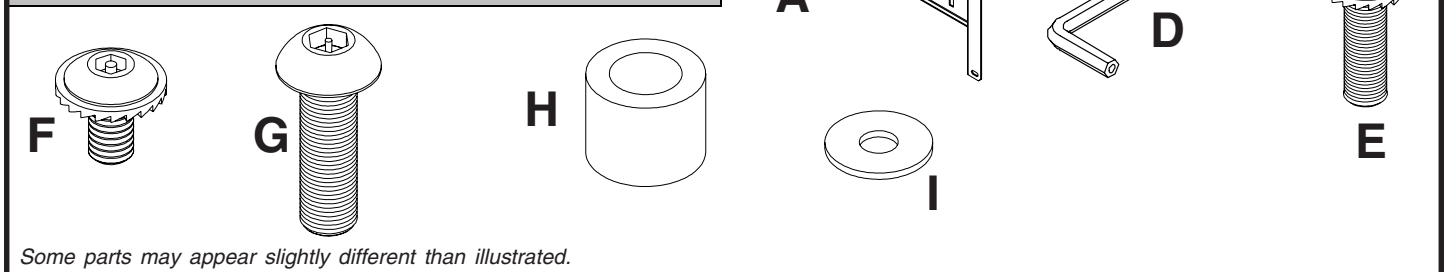
**IMPORTANT!** Read instruction sheet before you start installation and assembly.  
Before you start make sure all parts listed are included with your product.



This product is UL Listed. It must be installed by a qualified professional installer.

## Parts List

Description	qty.	part#
<b>A</b> adapter plate	1	200-1829
<b>B</b> M5 x 12 mm socket pin serrated washer head screw	4	510-1064
<b>C</b> M5 x 10 mm socket pin screw	4	520-1063
<b>D</b> 4 mm allen wrench	1	560-9646
<b>E</b> M6 x 20 mm socket pin serrated washer head screw	4	510-9554
<b>F</b> M6 x 12 mm socket pin serrated washer head screw	4	510-1050
<b>G</b> M8 X 25 mm socket pin screw	4	520-1101
<b>H</b> spacer	4	540-1015
<b>I</b> #10 washer	4	540-9400

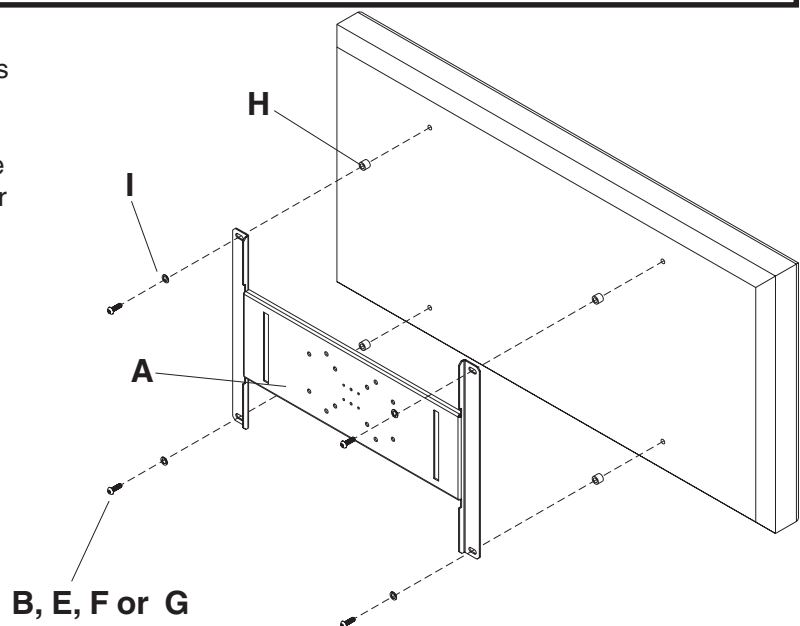


## ⚠ WARNING

- Do not overtighten! Overtightening may cause permanent damage to the screen. Torque to 26-35 in • lb (30-40 kg • cm).

**1** Begin with shortest length screw (**B**, **F** or **G**), hand thread through adapter plate into screen as shown below. Screw must make at least three full turns into screen insert and fit snug into place. Do not over tighten. If screw cannot make three full turns into screen insert, select a longer length screw (**E**). Repeat for remaining holes. If you have any questions, please call Peerless customer care at 1-800-865-2112.

**NOTE:** Spacer (**H**) is only to be used with M8 x 25 mm socket pin screw (**G**). #10 washer (**I**) is used with M5 x 12 mm socket pin screw (**B**) only.



Screen may appear slightly different than illustrated