

CM850



Display size
32"-60"*



Max load
150lb (68kg)

Corner Mount

FOR 32" TO 60"* DISPLAYS

The industry's first mount designed for direct corner mounting — only from Peerless-AV®. With its pull-out pivot capability of 11.18" (284mm), the CM850 easily adapts to wider displays with no need for wall mount repositioning. Enjoy perfect viewing from all angles with this flexible corner mount model that pulls-out, swivels, and tilts. Display attachment plate accommodates speakers when used with smaller flat panels. Out of the way, but still in clear view, the direct corner mount is the perfect solution for displays mounted directly to the corner.

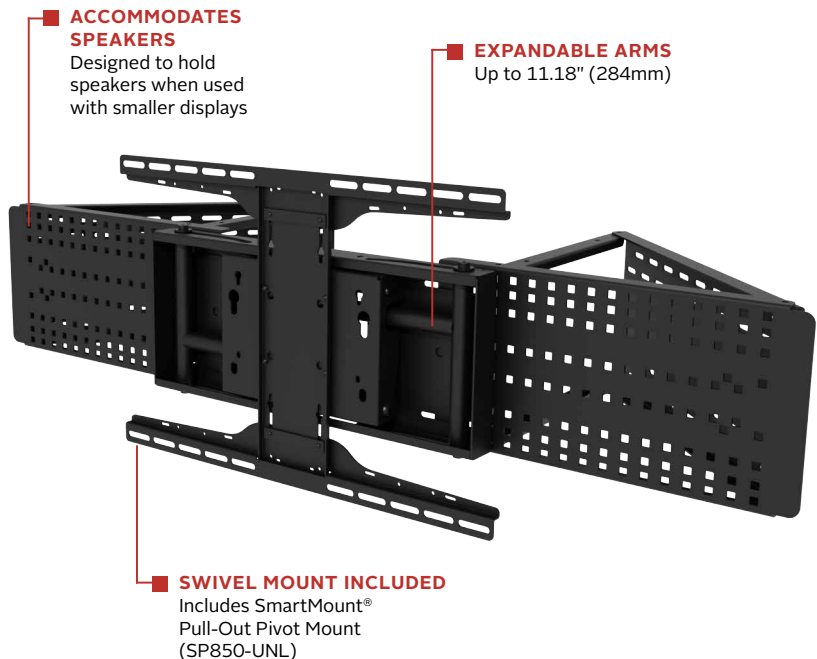
The CM850's flexible design allows users to easily find the perfect viewing angle, from any direction, with its ability to pull-out, swivel, and tilt.

Additional Features

- ✓ Allows display to be mounted directly in to the corner
- ✓ Includes SmartMount® Pull-Out Pivot Mount (SP850-UNL)
- ✓ Extendable arms accommodate multiple display sizes without having to adjust wall unit placement
- ✓ Universal models adapt to displays with mounting holes up to 600 x 400 (23.62" W x 15.75" H)
- ✓ The I-shaped adaptor plate's innovative design helps avoid blocking connections on the back of display
- ✓ Extends up to 11.18" (284mm); pull-out pivot with up to 90° rotation; 0°, 5° or 10° lockable tilt
- ✓ Accommodates speakers when used with smaller displays (wall unit may be visible with some smaller displays)
- ✓ Optional shelving available for AV components

* The maximum size display that can fit on the CM850 with full functionality cannot have a width greater than 54".

The CM850 can accept a display with a maximum width of 71" when the mount is fully extended with 0° tilt.



Wall units accommodate speakers when used with smaller displays



Patented. Utility Patent No. 7,823,850; 8,517,322.

Model Numbers

WARRANTY: Limited 5-year

CM850 Corner Mount for 32" to 60" Displays

Product Specifications

	DIMENSIONS (W x H x D)	PRODUCT WEIGHT	LOAD CAPACITY	FINISH	AVAILABLE COLORS
CM850	36.12"-50.38" x 16.78" x 17.82"-26.27" (918-1280 x 425 x 453-667mm)	62lb (28.1kg)	150lb (68kg)	Scratch resistant fused epoxy	Black

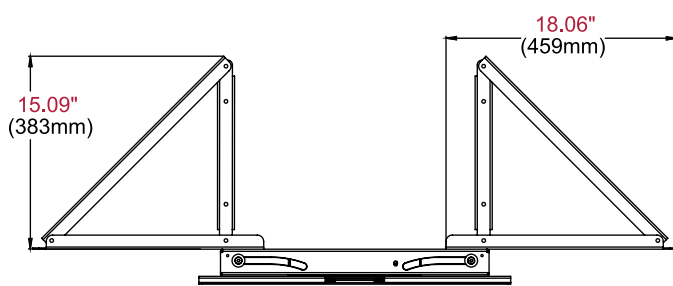
Package Specifications

	PACKAGE SIZE (W x H x D)	PACKAGE SHIP WEIGHT	PACKAGE UPC CODE	PACKAGE CONTENTS	UNITS IN PACKAGE
CM850	Box 1: 46.00" x 12.00" x 4.00" (1168 x 304 x 101mm) Box 2: 32.00" x 12.00" x 4.69" (812 x 304 x 119mm)	Box 1: 39lb (17.7kg) Box 2: 28.0lb (12.7kg)	735029259688	Wall plates (2), display attachment plates (2), support brackets (4), SP850-UNL, assembly and mounting attachment hardware	1

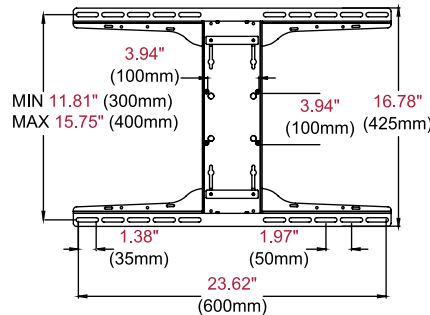
Accessories

ACC324: Corner Mount Shelf
ACC930: Fastener Kit for Speaker Mounts

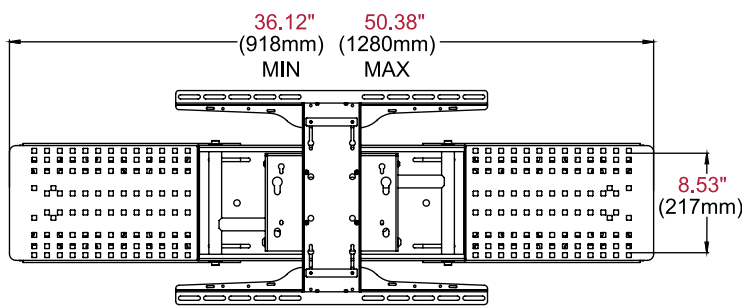
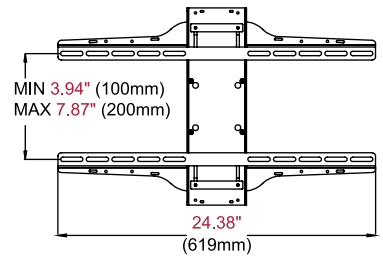
All dimensions = inch (mm)



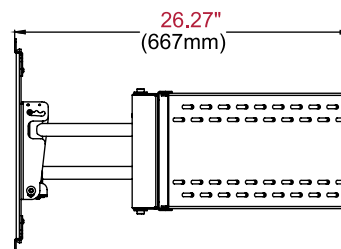
TOP VIEW



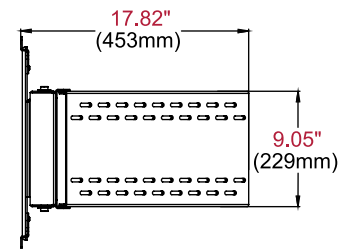
ADAPTOR PLATE



FRONT VIEW



SIDE VIEW EXTENDED



SIDE VIEW COLLAPSED

Architect Specifications

The Corner Mount shall be a Peerless-AV model CM850 and shall be located where indicated on the plans. Assembly and installation shall be done according to instructions provided by the manufacturer.

Visit peerless-av.com to see the complete line of AV solutions from Peerless-AV, including outdoor displays, wireless, kiosks, digital audio, display mounts, projector mounts, carts/stands, and a full assortment of accessories.

Peerless-AV
2300 White Oak Circle
Aurora, IL 60502 USA

(800) 865-2112
(630) 375-5100
Fax: (800) 359-6500

Peerless-AV Europe
Unit 3 Watford Interchange
Colonial Way, Watford
Herts, WD24 4WP
United Kingdom
+44 (0) 1923 200100
Fax: +44 (0) 1923 200101

Peerless-AV de México
Ave de las Industrias 413
Parque Industrial Escobedo
Escobedo, N.L.,
Mexico 66050
+52 (81) 8384-8300
Fax: +52 (81) 8384-8360

peerless-AV

LIT0347 rev.6