

# TECHNICAL DATA SHEET - Ceiling Plate

# peerless®

**MODELS: ACC560**
**Features:**

- Color: black

**Dimensions:**
**Weight:**

.75 lbs (.34 kg)

**Shipping weight:**

.93 lb (.42 kg)

**Maximum Load Capacity:**

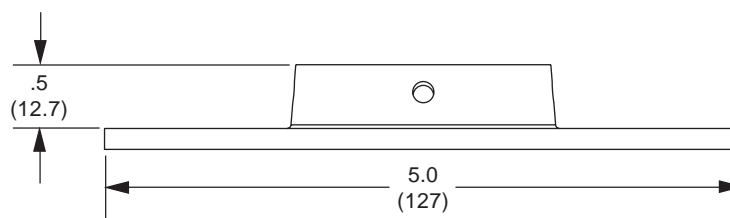
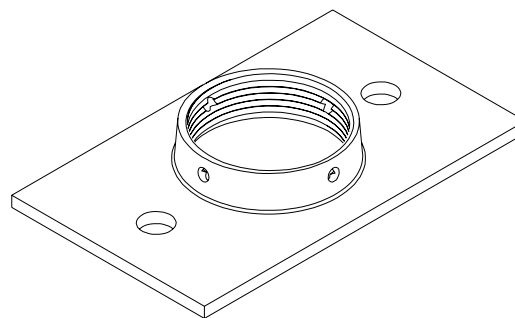
50 lb (27 kg)

**Shipping Carton dimensions:**
**L** = 5 in (127 mm)

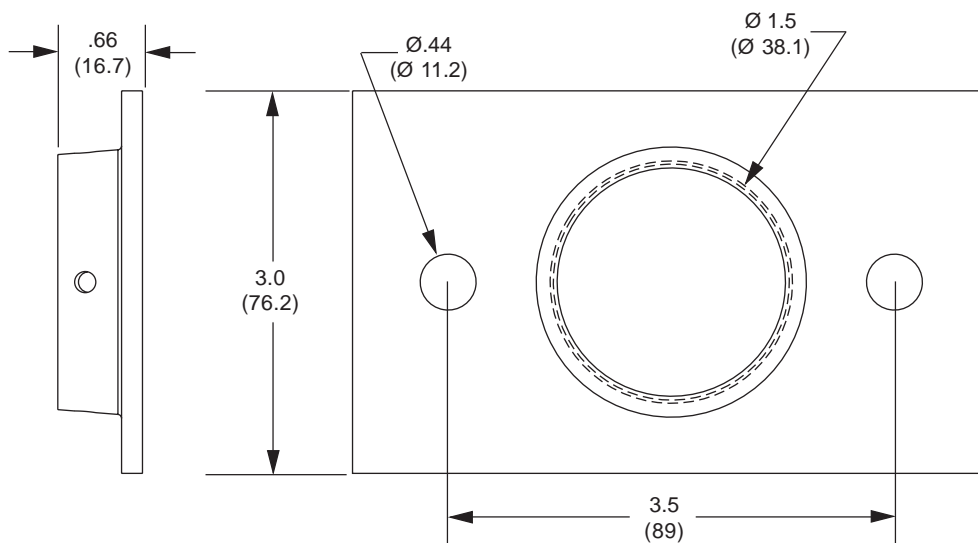
**W** = 5 in (127 mm)

**H** = 5 in (127 mm)

All dimensions = inch (mm)



Side View



Front View

Top View

## ARCHITECTS SPECIFICATIONS

The ceiling plate shall be a Peerless model \_\_\_\_\_ and shall be located where indicated on the plans. It shall feature scratch resistant black fused epoxy finish. Assembly and installation shall be done according to instructions provided by the manufacturer.

**Peerless Industries, Inc.**

 3215 W. North Ave. Melrose Park, IL 60160  
 708-865-8870 800-865-2112 Fax 708-865-2941

[www.peerlessmounts.com](http://www.peerlessmounts.com)
**ISSUED: 02-01-07 SHEET NO: 054-9626-3 07-11-07**

 ©2007, Peerless Industries, Inc. All rights reserved.  
 All other brand and product names are trademarks or registered trademarks of their respective owners.