

ACC325

Accessory Shelf

For use with FPZ-600 Flat Panel Stand

Easily create the space you need to hold audio/visual components with the Peerless ACC325 Shelf. Specifically designed to be used with the FPZ-600 Flat Panel Stand, the ACC325 Shelf accommodates media equipment that is either large or small in size. The shelf platform can be used in two configurations - up to keep larger components nestled in place or flipped downward to hold smaller components. With a simplistic design that only requires 3 screws to attach to the poles, the ACC325 Shelf easily slides along the poles, providing the ability to place media devices and other audio/visual components at your desired position. Ideal for commercial applications, including rental and staging, and digital signage, the shelving set up and adjustability is effortless making it a perfect solution for component support.



Max load: 25lb (11kg)

FEATURES

- For use with FPZ-600 Flat Panel Stand
- Easily adjustable along vertical poles to achieve desired component height
- Measures 21"wide x 19"deep
- 25lb (11kg) weight load capacity
- Available in black



Model Numbers

WARRANTY: Limited 5-year

ACC325: Accessory Shelf for use with FPZ-600 Flat Panel Stand

Product Specifications

	DIMENSIONS (W x H x D)	PRODUCT WEIGHT	LOAD CAPACITY	FINISH	AVAILABLE COLORS
ACC325	21" x 1.75" x 19" (533.4 x 44.4 x 482.6 mm)	16.25lb (7.37kg)	25lb (11kg)	Scratch resistance fused epoxy	Black

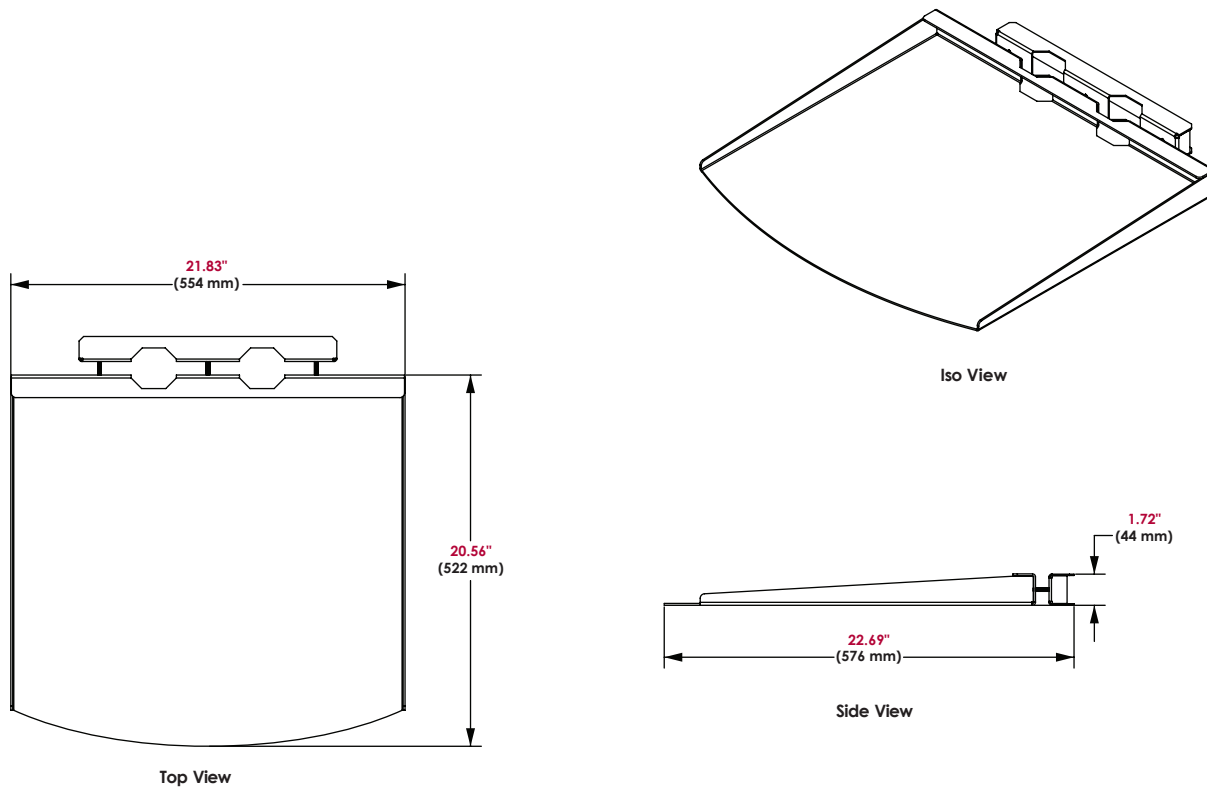
Package Specifications

	PACKAGE SIZE (L x W x H)	PACKAGE SHIP WEIGHT	PACKAGE UPC CODE	PACKAGE CONTENTS	UNITS IN PACKAGE
ACC325	25.5" x 5" x 27" (648 x 127 x 686 mm)	19.7lb (8.93kg)	735029264712	Shelf, shelf bracket, attachment hardware and assembly instructions	1

Compatible with:

FPZ-600: Flat Panel Stand

All dimensions = inch (mm)



ARCHITECTS SPECIFICATIONS

The A/V shelf for the FPZ-600 stand shall be a Peerless model ACC325 and shall be located where indicated on the plans. The finish shall be scratch resistant black. Assembly and installation shall be done according to instructions provided by the manufacturer.