

EWMU(-S)



Display size
32"-65"



Max load
200lb (90.7kg)

Wind Rated Tilt Wall Mount

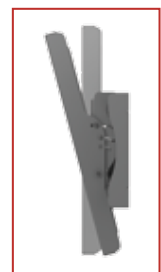
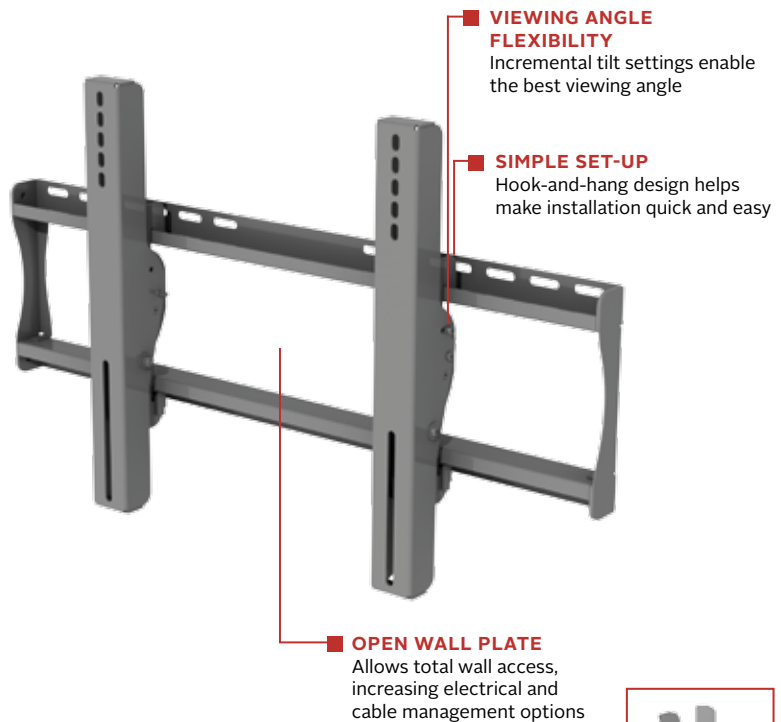
FOR 32" TO 65" OUTDOOR DISPLAYS

Peerless-AV's Wind Rated Outdoor TV Mount is tough enough to handle rough weather, but it's still remarkably quick to install with its hook-and-hang design. Wind rated up to 110mph, it's constructed from heavy gage steel, and sealed with corrosion resistant E-Coat. Complete with stainless steel tamper resistant hardware that is Sorted-For-You™ for simplified installation to wood studs, concrete or cinder block. It's the mount designed to hold an outdoor TV in any environment.

The EWMU's adjustable viewing feature, open wall plate and robust design make installing and enjoying a TV outdoors effortless.

Additional Features

- ✓ Universal mounting pattern – 28.75"W x 17.67"H (730 x 449mm) VESA® up to 600 x 400mm
- ✓ Wind rated up to 110mph, elevation 200ft (60m), Category "D"
- ✓ Fixed incremental tilt with angle settings at 0°, 2°, 5°, 10° or 15°
- ✓ Hook-and-hang design for simplified installation
- ✓ Up to 8" of horizontal positioning



Adjustable tilt can easily be set up to 15° forward and 5° back



Model Numbers

EWMU(-S) Wind Rated Tilt Wall Mount for 32" to 65" Outdoor Displays

Product Specifications

	DIMENSIONS (W x H x D)	PRODUCT WEIGHT	LOAD CAPACITY	FINISH	AVAILABLE COLORS
EWMU(-S)	30.87" x 18.83" x 3.74" (784 x 478 x 95mm)	17lb (8kg)	200lb (90.7kg)	Outdoor powder paint	EWMU: Black EWMU-S: Stone Gray

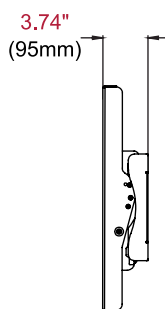
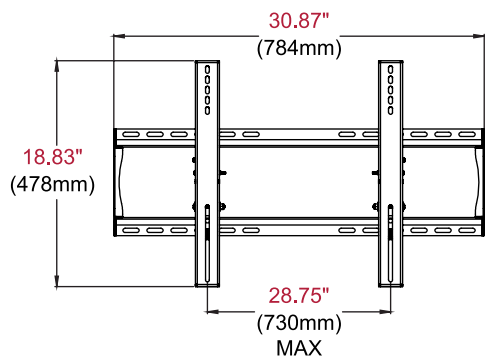
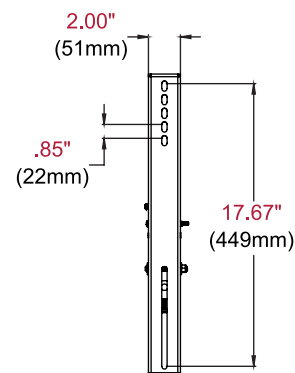
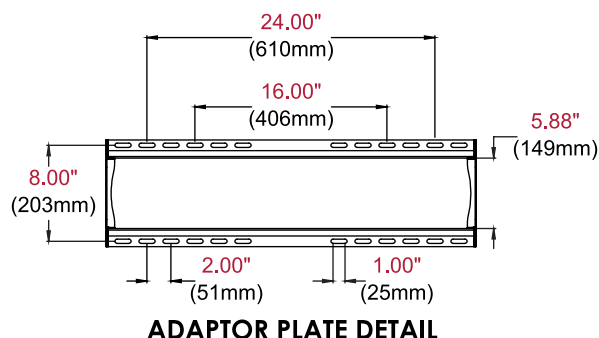
Package Specifications

	PACKAGE SIZE (W x H x D)	PACKAGE SHIP WEIGHT	PACKAGE UPC CODE	PACKAGE CONTENTS	UNITS IN PACKAGE
EWMU(-S)	34.25" x 10.18" x 3.12" (870 x 258 x 79mm)	20lb (9kg)	EWMU: 735029272335 EWMU-S: 735029272342	Mount, Hardware, Security Fasteners	1

Accessories

CL models: Outdoor Displays
HDS-OWK-200: Wireless Outdoor Kit
HDS-OWRE-200: Wireless Outdoor Module

All dimensions = inch (mm)



+15°/-5° TILT

Architect Specifications

The Wind Rated Tilt Wall Mount shall be a Peerless-AV model EWMU(-S) and shall be located where indicated on the plans. Assembly and installation shall be done according to instructions provided by the manufacturer.

Visit peerless-av.com to see the complete line of AV solutions from Peerless-AV, including outdoor displays, wireless, kiosks, digital audio, display mounts, projector mounts, carts/stands, and a full assortment of accessories.

Peerless-AV
 2300 White Oak Circle
 Aurora, IL 60502 USA
(800) 865-2112
(630) 375-5100
Fax: (800) 359-6500

Peerless-AV Europe
 Unit 3 Watford Interchange
 Colonial Way, Watford
 Herts, WD24 4WP
 United Kingdom
+44 (0) 1923 200100
Fax: +44 (0) 1923 200101

Peerless-AV de México
 Ave de las Industrias 413
 Parque Industrial Escobedo
 Escobedo, N.L.,
 Mexico 66050
+52 (81) 8384-8300
Fax: +52 (81) 8384-8360

