

ESA763PU  
ESA763C



Display size  
ESA763PU: **32"-80"**  
ESA763C: **42"-55"**  
Peerless-AV® Xtreme™  
Outdoor Displays



Max load  
**200lb (91kg)**

# Outdoor Articulating Wall Mounts

FOR 32" TO 80" DISPLAYS & 42" TO 55"  
PEERLESS-AV® XTREME™ OUTDOOR DISPLAYS

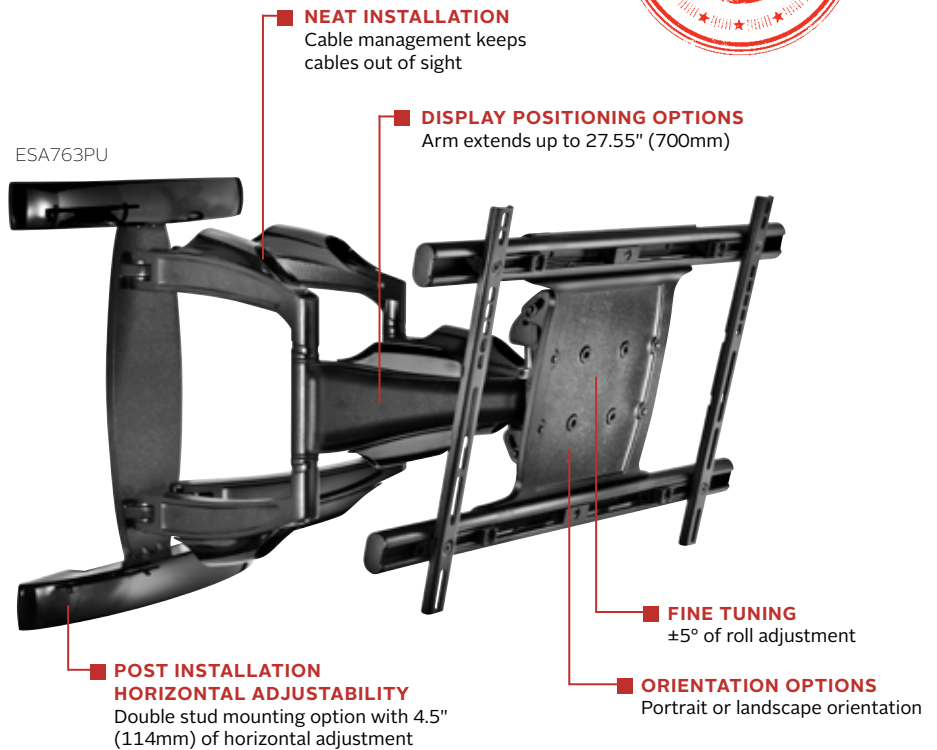
Peerless-AV's Outdoor Articulating Wall Mount for 32"-80" Indoor or Outdoor Displays is ready to let entertainment prosper in any indoor or outdoor environment. The ESA763PU/ESA763C are specially coated with a protective anti-corrosive e-coating that repels damaging temperature-related and outdoor corrosive elements. Delivering all weather indoor and outdoor display placement value for uses in three-season rooms, patios or decks. This all-environment mount is also ideal for installations in humid indoor areas like locker rooms, bathrooms, car washes, indoor pools or water parks. Indoors or out the ESA763PU/ESA763C provide durable all-environment mounting solution that is ready for any setting.

*The ESA763PU and ESA763C's corrosion resistant coating allows this product to be used outdoors, protecting it from all of the elements.*



## Additional Features

- ✓ Made of corrosion resistant materials for weather resistance
- ✓ ESA763PU fits displays with mounting patterns up to 687 x 439mm (27.06"W x 17.29"H) and up to 600 x 400mm VESA® compliant
- ✓ ESA763C for use with 600 x 400mm VESA® compliant Peerless-AV Xtreme Outdoor Displays
- ✓ Dual arm construction for added strength and smooth motion on larger displays
- ✓ Universal model extends from 4.43" (113mm) to 27.55" (700mm) from the wall
- ✓ Minimalistic wall plate footprint for increased wall access and improved aesthetic
- ✓ Integrated cable management provides ample area to run cables to complete a professional and discrete installation
- ✓ One-Touch™ tilt allows adjustment of +15°/-5° without the use of tools
- ✓ ±5° roll aid in display leveling
- ✓ Display can be rotated from landscape to portrait without removing the display
- ✓ Wood, concrete and cinder block mounting hardware included



ESA763C for use with Peerless-AV® Xtreme™ Outdoor Displays



1" (25mm) clearance per channel for clean and simple cable management



1" (25mm) of vertical adjustment for post-installation fine tuning



Patented. Design Patent No. D623,177, D623,634, D627,767, D631,876, D635,966.

**ESA763PU** Outdoor Articulating Wall Mount for 32" to 80" Displays  
**ESA763C** Outdoor Articulating Wall Mount for 42" to 55" Peerless-AV® Xtreme™ Outdoor Displays

**Product Specifications**

	DIMENSIONS (W x H x D)	PRODUCT WEIGHT	LOAD CAPACITY	FINISH	AVAILABLE COLORS
<b>ESA763PU</b>	28.68" x 20.23" x 4.43"-27.55" (728 x 514 x 113-700mm)	52lb (23kg)	200lb (91kg)	E-Coat covered with outdoor powder paint	Black
<b>ESA763C</b>	24.91" x 20.23" x 4.00"-27.12" 633 x 514 x 102-689mm)	46.30lb (21kg)			

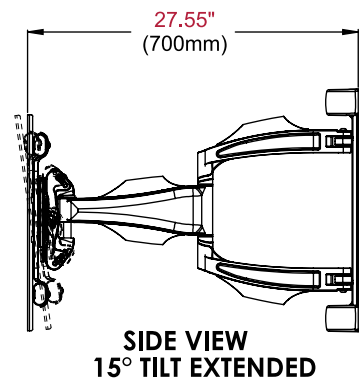
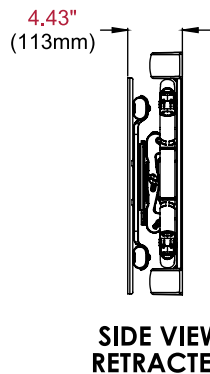
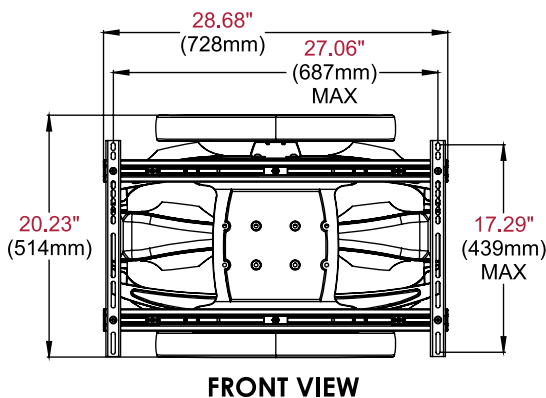
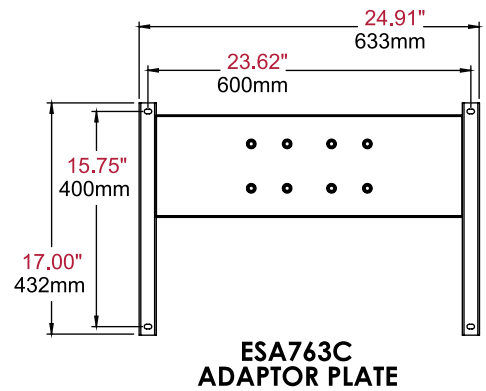
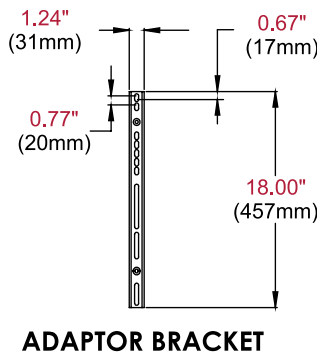
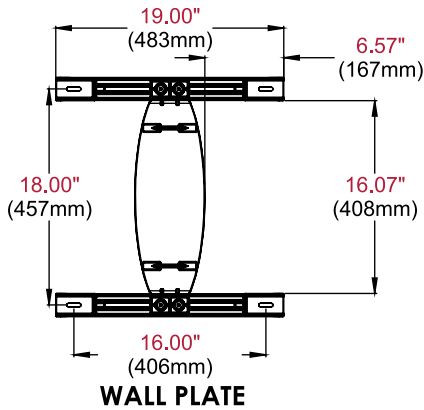
**Package Specifications**

	PACKAGE SIZE (W x H x D)	PACKAGE SHIP WEIGHT	PACKAGE UPC CODE	PACKAGE CONTENTS	UNITS IN PACKAGE
<b>ESA763PU</b>	37.75" x 21.25" x 5.625" (958 x 539 x 142mm)	55lb (25kg)	735029266600	Mount and mounting hardware	1
<b>ESA763C</b>	37.75" x 21.25" x 6.13" (958 x 539 x 156mm)	52.15lb (24kg)	735029299400		

**Accessories**

**CL models:** Outdoor Displays  
**HDS-OWK-200:** Wireless Outdoor Kit  
**HDS-OWRE-200:** Wireless Outdoor Module

All dimensions = inch (mm)



**Architect Specifications**

The Outdoor Articulating Wall Mount shall be a Peerless-AV model ESA763PU/ ESA763C and shall be located where indicated on the plans. Assembly and installation shall be done according to instructions provided by the manufacturer.

Visit [peerless-av.com](http://peerless-av.com) to see the complete line of AV solutions from Peerless-AV, including outdoor displays, wireless, kiosks, digital audio, display mounts, projector mounts, carts/stands, and a full assortment of accessories.

**Peerless-AV**  
 2300 White Oak Circle  
 Aurora, IL 60502 USA  
**(800) 865-2112**  
**(630) 375-5100**  
**Fax: (800) 359-6500**

**Peerless-AV Europe**  
 Unit 3 Watford Interchange  
 Colonial Way, Watford  
 Herts, WD24 4WP  
 United Kingdom  
**+44 (0) 1923 200100**  
**Fax: +44 (0) 1923 200101**

**Peerless-AV de México**  
 Ave de las Industrias 413  
 Parque Industrial Escobedo  
 Escobedo, N.L.,  
 Mexico 66050  
**+52 (81) 8384-8300**  
**Fax: +52 (81) 8384-8360**

