

LCT620A LCT620A-G



Mounting Pattern
75 x 75,
100 x 100mm



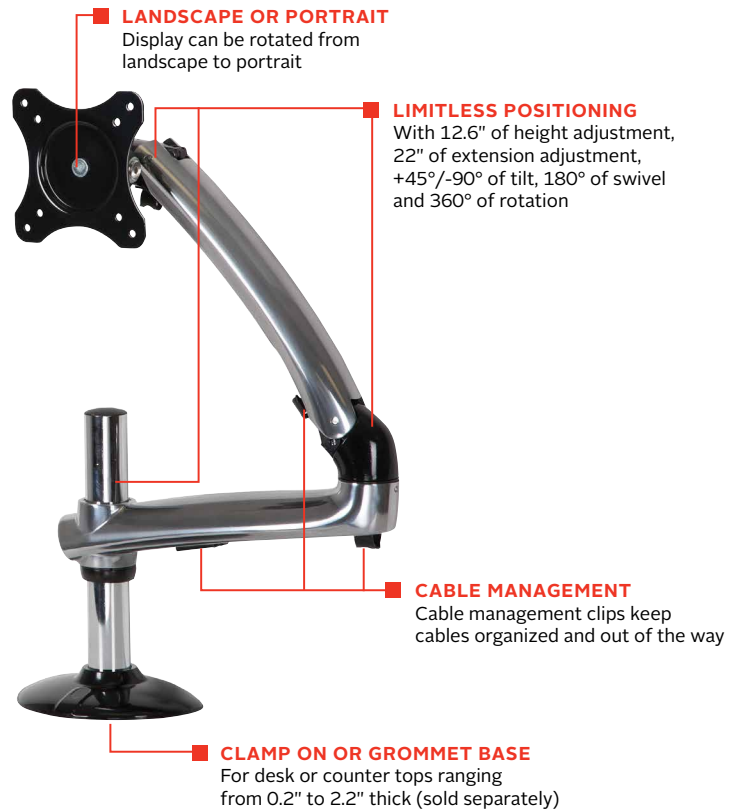
Max Load
8.4lb to 17.8lb
(3.8kg to 8.1kg)

Desktop Monitor Arm Mount

FOR UP TO 38" MONITORS

The LCT620A and LCT620A-G Desktop Monitor Mounts feature an attractive height adjustable articulating arm that provide perfect ergonomics with optimum monitor positioning for virtually all users. Choose between a clamp-on or grommet mounting base for limitless mounting options on any desktop or countertop surface between ½" to 2" (12 to 55mm) thick.

- Articulating arm allows monitor to be adjusted to the perfect ergonomic position to help reduce eye, back and neck strain
- Accommodates different monitor weights ranging from 8.4lb to 17.8lb (3.8kg to 8.1kg)
- Smooth and effortless arm movement provided by bushings at all pivot points
- Compatible with VESA® 75 x 75mm and 100 x 100mm mounting patterns
- Monitor can be positioned anywhere from 0.25" to 18.50" (6 to 470mm) above the desktop surface measured at the center of the adaptor
- Both style mounting bases accommodate a desktop or counter thickness of 0.2" to 2.2" (5 to 55mm) thick
- Expertly finished polished aluminum arm and black base with chrome pole



LCT620A-G's Grommet base works with through holes in the desk or counter top



LCT620A's Clamp on base easily clamps to edge desk or counter top



Cable management keeps a clean appearance



Please visit peerless-av.com/en-us/patents for patent information.

LCT620A	Clamp-on Base Desktop Monitor Arm Mount for up to 38" Monitors
LCT620A-G	Grommet Base Desktop Monitor Arm Mount for up to 38" Monitors

Product Specifications

	DIMENSIONS (W X H X D)	PRODUCT WEIGHT	LOAD CAPACITY	FINISH	AVAILABLE COLORS
LCT620A LCT620A-G	(See Drawing)	11.00lb (5kg)	8.4lb to 17.8lb (3.8kg to 8.1kg)	High Gloss	Polished Aluminum with Black Base and Accents

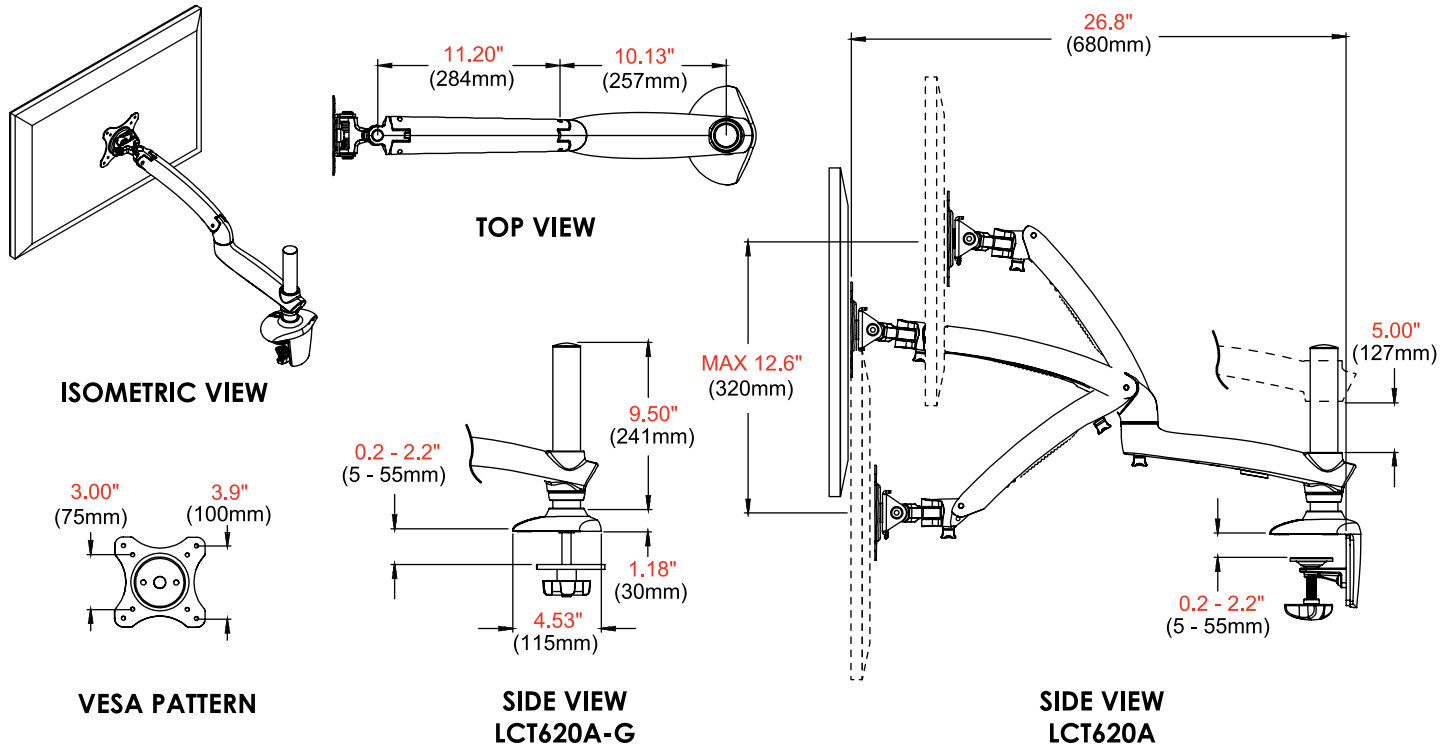
Package Specifications

	PACKAGE SIZE (W x H x D)	PACKAGE SHIP WEIGHT	PACKAGE UPC CODE	PACKAGE CONTENTS	UNITS IN PACKAGE
LCT620A LCT620A-G	17.76" x 5.12" x 16.34" (451 x 130 x 415mm)	11.66lb (5.3kg)	735029279891 735029304005	Base with Pole, Arm w/Adaptor, Hardware & Mounting Instruction	1

Accessories

- ACC-GBASE:** Grommet Base
- ACC328:** Laptop Tray
- ACC450:** VESA® 200 x 200mm Accessory Adaptor Plate
- ACC918:** Security Fasteners
- PTM200:** Universal Tablet Mount

All dimensions = inch (mm)



Architect Specifications

The Desktop Monitor Arm Mount shall be a Peerless-AV model LCT620A(-G) and shall be located where indicated on the plans. Assembly and installation shall be done according to instructions provided by the manufacturer.

Visit peerless-av.com to see the complete line of AV solutions from Peerless-AV, including outdoor displays, kiosks, display mounts, projector mounts, carts/stands, and a full assortment of accessories.

Peerless-AV
2300 White Oak Circle
Aurora, IL 60502 USA
(800) 865-2112
(630) 375-5100
Fax: (800) 359-6500

Peerless-AV EMEA
Unit 3 Watford Interchange
Colonial Way, Watford
Herts, WD24 4WP
United Kingdom
+44 (0) 1923 200100
Fax: +44 (0) 1923 200101

Peerless-AV Latin America
Av. de las Industrias 413
Parque Industrial Escobedo
General Escobedo, N.L.,
México, 66062
+52 (81) 8384-8300
Fax: +52 (81) 8384-8360

