

LCW620A



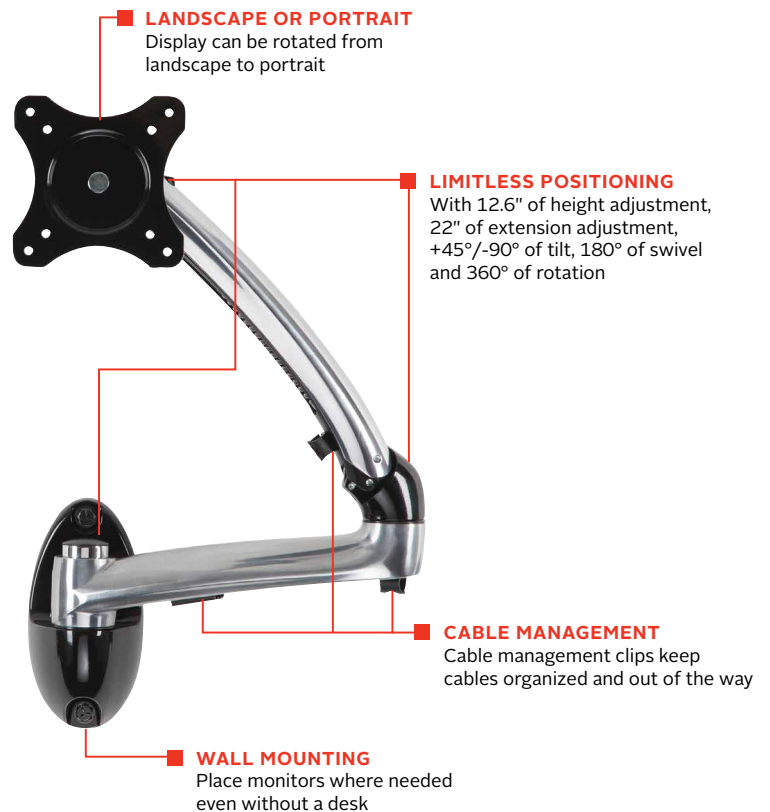
	Mounting Pattern 75 x 75, 100 x 100mm		Max Load 8.4lb to 17.8lb (3.8kg to 8.1kg)
---	--	---	--

Articulating Wall Mount

FOR UP TO 38" MONITORS

The LCW620A articulating wall mount features an attractive height adjustable articulating arm that provide perfect ergonomics with optimum monitor positioning for virtually all users. The wall mounting bracket allows for additional monitor placement when a desktop surface is not available.

- Articulating arm allows monitor to be adjusted to the perfect ergonomic position to help reduce eye, back and neck strain
- Accommodates different monitor weights ranging from 8.4lb to 17.8lb (3.8kg to 8.1kg)
- Smooth and effortless arm movement provided by bushings at all pivot points
- Compatible with VESA® 75 x 75 and 100 x 100mm mounting patterns
- 12.60" (320mm) of monitor height adjustment
- Mounts to wood, concrete, cinder block or breeze block construction
- Expertly finished polished aluminum arm and black base with chrome pole



Cable management keeps a clean appearance



Please visit peerless-av.com/en-us/patents for patent information.

Model Numbers

WARRANTY: Limited 5-year

LCW620A Articulating Wall Mount for up to 38" Monitors

Product Specifications

	DIMENSIONS (W X H X D)	PRODUCT WEIGHT	LOAD CAPACITY	FINISH	AVAILABLE COLORS
LCW620A	(See Drawing)	8.80lb (4kg)	8.4lb to 17.8lb (3.8kg to 8.1kg)	High Gloss	Polished Aluminum with Black Base and Accents

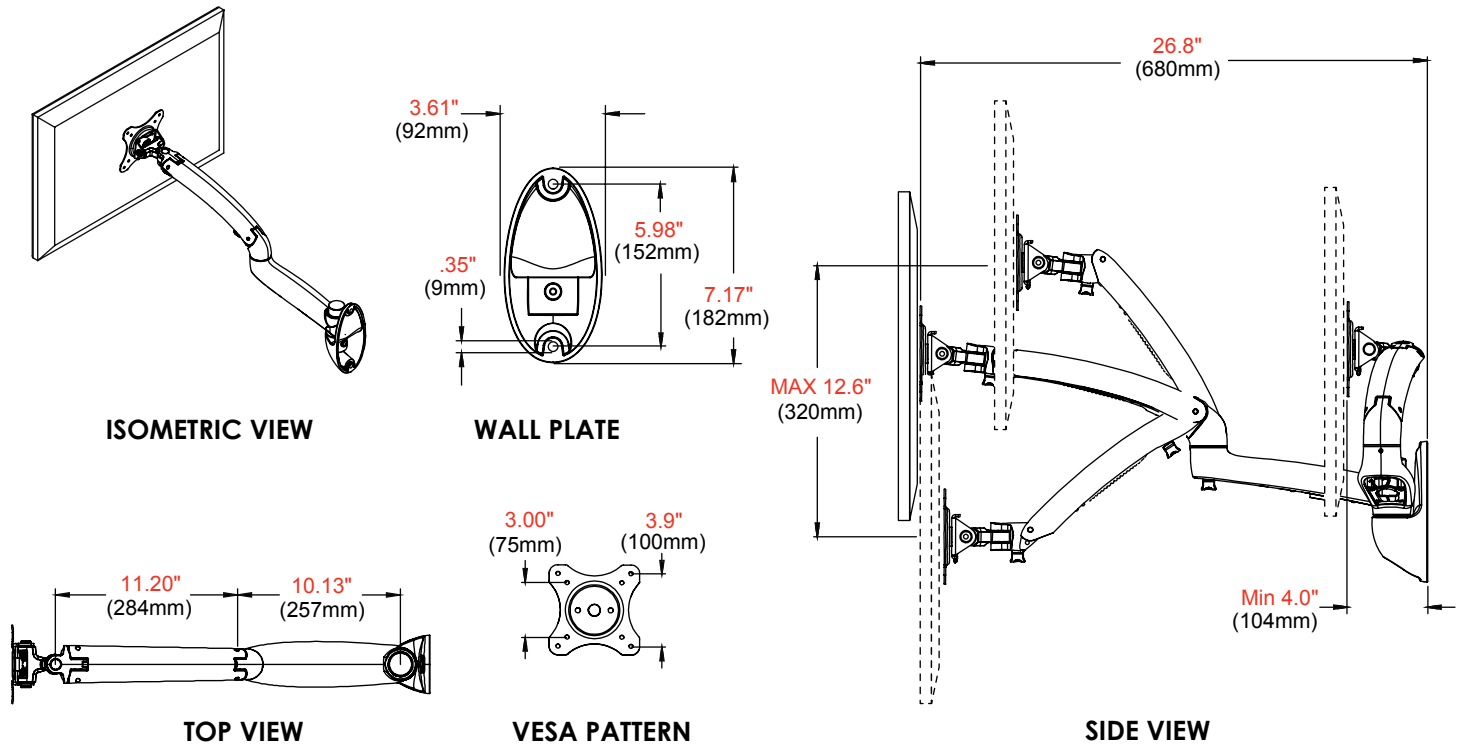
Package Specifications

	PACKAGE SIZE (W X H X D)	PACKAGE SHIP WEIGHT	PACKAGE UPC CODE	PACKAGE CONTENTS	UNITS IN PACKAGE
LCW620A	17.76" x 5.12" x 16.69" (451 x 130 x 424mm)	9.46lb (4.3kg)	735029279914	Wall Plate with Pole, Arm w/Adaptor, Hardware & Mounting Instructions	1

Accessories

ACC328:	Laptop Tray
ACC450:	VESA® 200 x 200mm Accessory Adaptor Plate
ACC918:	Security Fasteners
PTM200:	Universal Tablet Mount

All dimensions = inch (mm)



Architect Specifications

The Articulating Wall Mount shall be a Peerless-AV model LCW620A and shall be located where indicated on the plans. Assembly and installation shall be done according to instructions provided by the manufacturer.

Visit peerless-av.com to see the complete line of AV solutions from Peerless-AV, including outdoor displays, kiosks, display mounts, projector mounts, carts/stands, and a full assortment of accessories.

Peerless-AV
2300 White Oak Circle
Aurora, IL 60502 USA
(800) 865-2112
(630) 375-5100
Fax: (800) 359-6500

Peerless-AV EMEA
Unit 3 Watford Interchange
Colonial Way, Watford
Herts, WD24 4WP
United Kingdom
+44 (0) 1923 200100
Fax: +44 (0) 1923 200101

Peerless-AV Latin America
Av. de las Industrias 413
Parque Industrial Escobedo
General Escobedo, N.L.,
México, 66062
+52 (81) 8384-8300
Fax: +52 (81) 8384-8360

peerless-AV®
Driving Technology Through Innovation

LIT-0756 rev.5