

DST965



Display size
40"-65"



Max load
300lb (136kg)

SMARTMOUNT.

Back-to-Back Ceiling Mount with Media Player Storage

FOR 40"-65" DISPLAYS

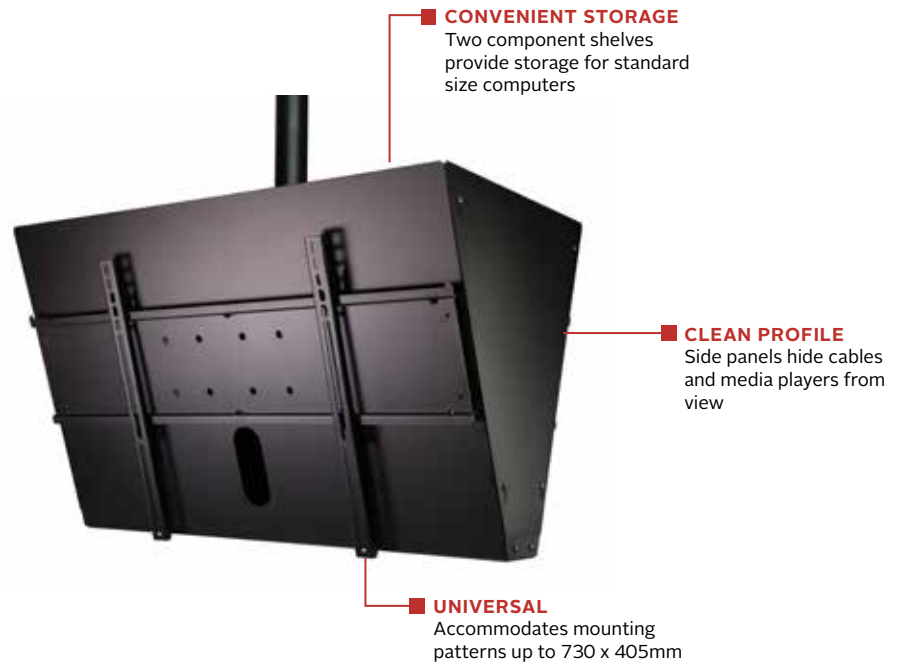
When aesthetics are essential, choose the DST965 from Peerless-AV®. The perfect back-to-back ceiling mount for digital signage applications. Included shelving provides ample storage space for multiple media players, while the side panels hide all wiring and components from view. The Peerless-AV® universal adapter plates accommodate most displays and hold them at an ideal 20 degree viewing angle. Included security hardware deters tampering and theft.

The DST965 Ceiling Mount with Media Player Storage offers clean and clutter-free storage, hiding cables and media players completely out of view.



Additional Features

- ✓ Holds two displays back-to-back at a 20° fixed tilt
- ✓ Removable side panels for easy maintenance
- ✓ Two component shelves provide storage for standard size computers
- ✓ Cables are routed through the column for a clean appearance
- ✓ Comes standard with Peerless-AV® universal mounting brackets
- ✓ Security hardware to deter tampering and loss



Clean profile



Media storage shelves



Patented. Design Patent No. D614,896

info@peerless-av.com
peerless-av.com

peerless-AV®

DST965 SmartMount® Back-to-Back Ceiling Mount with Media Player Storage for 40"-65" Displays

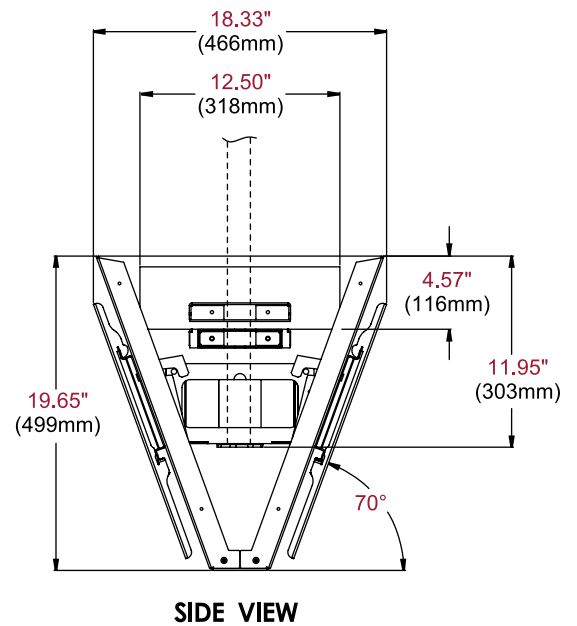
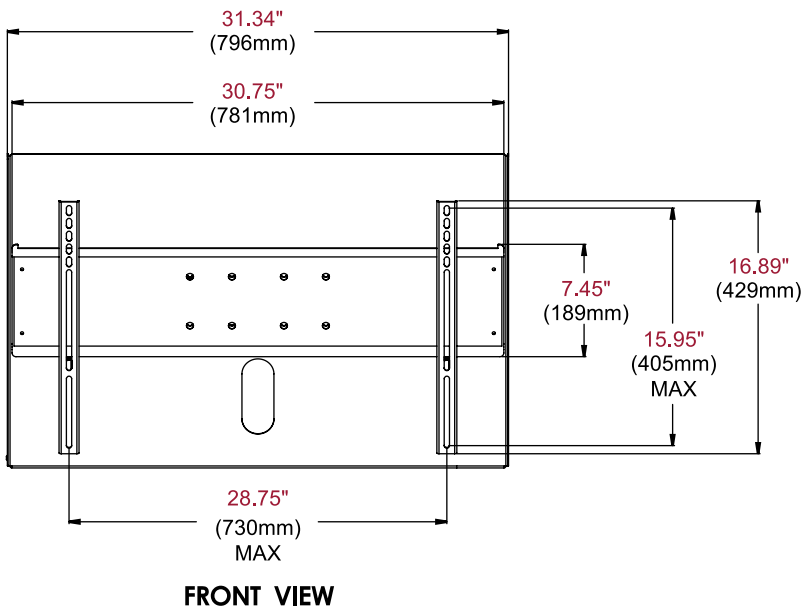
Product Specifications

	DIMENSIONS (W X H X D)	PRODUCT WEIGHT	LOAD CAPACITY	FINISH	AVAILABLE COLORS
DST965	31.34" x 19.65" x 18.33" (796 x 499 x 466mm)	80lb (36kg)	300lb (136kg)	Powder Coat	Black

Package Specifications

	PACKAGE SIZE (W x H x D)	PACKAGE SHIP WEIGHT	PACKAGE UPC CODE	PACKAGE CONTENTS	UNITS IN PACKAGE
DST965	33.13" x 31.88" x 10.75" (842 x 810 x 273mm)	85lb (39kg)	735029282419	Two universal adapters, two side panels, two shelves and interface bracket	1

All dimensions = inch (mm)



Architect Specifications

The Back-to-Back Ceiling Mount with Media Player Storage shall be a Peerless-AV® model DST965 and shall be located where indicated on the plans. It shall feature scratch resistant black fused epoxy finish. Assembly and installation shall be done according to instructions provided by the manufacturer.

Visit peerless-av.com to see the complete line of AV solutions from Peerless-AV, including outdoor displays, wireless, kiosks, digital audio, display mounts, projector mounts, carts/stands, and a full assortment of accessories.

Peerless-AV
2300 White Oak Circle
Aurora, IL 60502 USA
(800) 865-2112
(630) 375-5100
Fax: (800) 359-6500

Peerless-AV Europe
Unit 3 Watford Interchange
Colonial Way, Watford
Herts, WD24 4WP
United Kingdom
+44 (0) 1923 200100
Fax: +44 (0) 1923 200101

Peerless-AV de México
Ave de las Industrias 413
Parque Industrial Escobedo
Escobedo, N.L.,
Mexico 66050
+52 (81) 8384-8300
Fax: +52 (81) 8384-8360

