

MOD-FPMS

# Single Display Mount

## For Modular Series Flat Panel Display Mounts

The Peerless-AV Modular Mounts Line features a full range of products that can fulfill multiple requirements from a limited number of SKUs. With the universality of the components, configure your own perfect custom flat-panel display or projector mounting solution for any application.

The Modular Mount Line was developed with the professional AV installer in mind. Designed around a 2" (50mm) diameter pole, the line is ideal for new projects as well as for upgrading existing installations.

The MOD-FPMS mount is the perfect solution for mounting displays installed using the Modular Series Line of mounts.

### FEATURES

- Single display mounting solution for 10"-65" displays
- VESA® pattern 75/100mm compliant
- +20/-5° tilt lockable in 5° increments
- 360° rotation
- Internal cable management



Display size: 10" - 65"



Max load: 220lb (100kg)



**MOD-FPMS** Single Display Mount for Modular Series Flat Panel Display Mounts

**Product Specifications**

	<b>DIMENSIONS (W x H x D)</b>	<b>PRODUCT WEIGHT</b>	<b>LOAD CAPACITY</b>	<b>FINISH</b>	<b>AVAILABLE COLORS</b>
<b>MOD-FPMS</b>	3.42" x 5.11" x 5.11" (87 x 130 x 130mm)	2.10lb (0.95kg)	220lb (100kg)	Power coat	Black

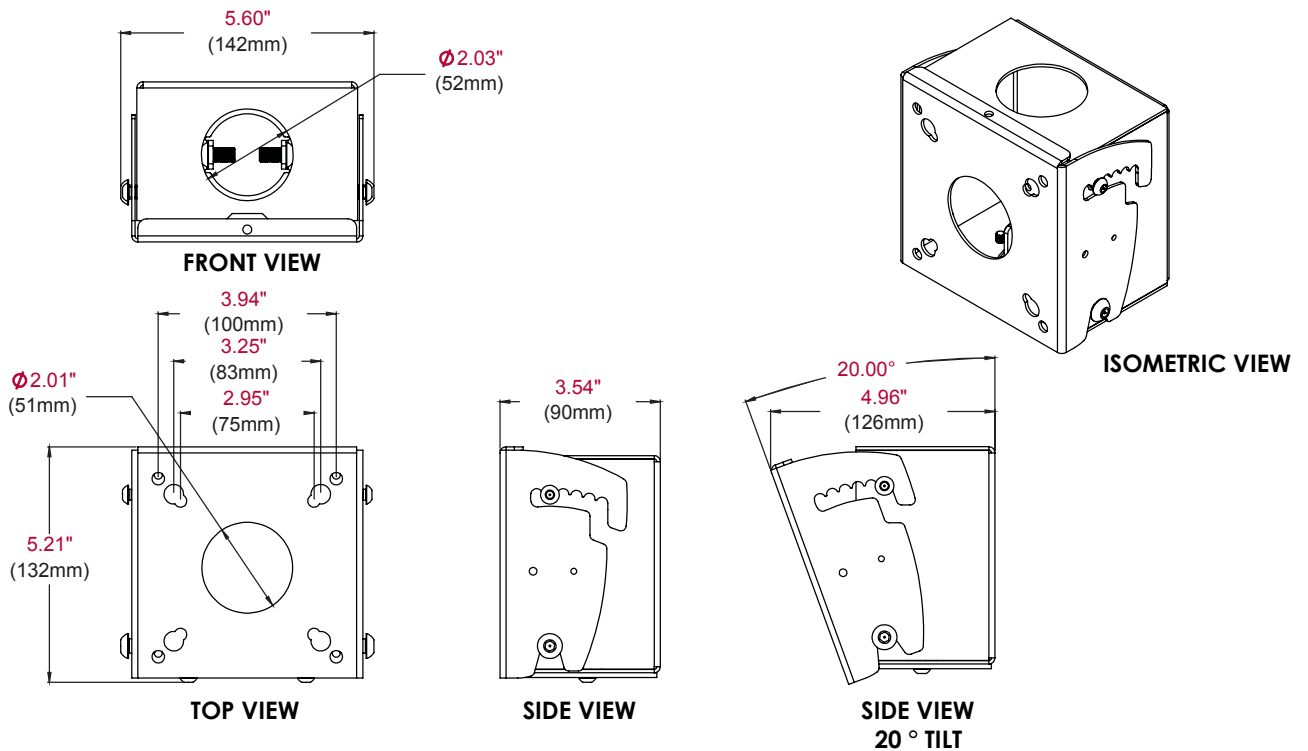
**Package Specifications**

	<b>PACKAGE SIZE (W x H x D)</b>	<b>PACKAGE SHIP WEIGHT</b>	<b>PACKAGE UPC CODE</b>	<b>PACKAGE CONTENTS</b>	<b>UNITS IN PACKAGE</b>
<b>MOD-FPMS</b>	6.25" x 9.62" x 6.00" (158 x 244 x 152mm)	3.30lb (1.5kg)	73502926997	Display mount, pole clamp, mounting hardware	1

**Accessories**

- MOD-ACF(-W):** Accessory Cover for MOD-CPF Ceiling Plate
- MOD-APC:** Accessory Pole Coupler
- MOD-APRG(-W):** Accessory Projector Adaptor, PRG Mount
- MOD-APRS(-W):** Accessory Projector Adaptor, PRS Mount
- MOD-ADF:** Pole Drill Fixture
- MOD-ATD-W:** Accessory Trim Disc
- MOD-AUB:** Accessory U-Bolt Adaptor
- MOD-CPC(-W):** Ceiling Plate, Cathedral
- MOD-CPF:** Square Ceiling Plate, Flat (7.4" x 6.8")
- MOD-CPI:** I-Beam Ceiling Plate, Flat
- MOD-ASC:** Display-Stacking Clamp
- MOD-FPMD:** Flat Panel Mount, Dual Back-To-Back
- MOD-P100(-B):** 50mm Extension Pole - 39" (1.0m)
- MOD-P150(-B):** 50mm Extension Pole - 59" (1.5m)
- MOD-P200(-B):** 50mm Extension Pole - 78" (2.0m)
- MOD-P300(-B):** 50mm Extension Pole - 118" (3.0m)
- MOD-UNL:** Universal Display Adaptor, Large
- MOD-UNM:** Universal Display Adaptor, Medium

All dimensions = inch (mm)



**ARCHITECTS SPECIFICATIONS**

The Single Display Mount shall be a Peerless-AV model MOD-FPMS and shall be located where indicated on the plans. Assembly and installation shall be done according to instructions provided by the manufacturer.

Peerless Industries, Inc. ■ 2300 White Oak Circle ■ Aurora, IL 60502 ■ (800) 865-2112 ■ (630) 375-5100 ■ Fax: (800) 359-6500 ■ peerless-av.com

Visit [www.peerless-av.com](http://www.peerless-av.com) to see the complete line of AV solutions from Peerless-AV, including flat panel mounts, projector mounts, carts/stands, furniture, cables, screen cleaners and a full assortment of accessories.