

DST995



Display size  
**40"-95"**



Max load  
**225lb (102kg)**

## SMARTMOUNT.

# Flat/Tilt Universal Ceiling Mount with Media Player Device Storage

FOR 40" TO 95" DISPLAYS

The DST995 Flat/Tilt Universal Ceiling Mount with Media Player Device Storage offers a "single-box" solution for most medium to large format digital signage display installations. This universal solution was designed to provide easy access to internal media player storage space without having to remove the display. The ratchet tilt design and swivel adjustments allow the display to be set at the perfect viewing angle for maximum impact.

*This "single box" solution offers easy access to media players, and tilt and swivel adjustments allow you to find the perfect viewing angle.*



### Additional Features

- ✓ Universal mounting in either portrait or landscape orientation
- ✓ Accommodates VESA® mounting patterns of 200 x 200, 300 x 300, 400 x 200, 400 x 300 and 400 x 400mm, ACC-V800X adaptor available for 600 x 400 and 800 x 400mm patterns
- ✓ Ratchet style tilt from 0° to 15° simplifies the install
- ✓ Available area within mount for housing a computer or media player device 16.00" x 11.00" x 3.25" (406 x 279 x 83mm)
- ✓ Rear cover removed for easy access to the media player without having to remove the display
- ✓ Internal side and top mounting locations provided for an electrical box
- ✓ Clean design hides components and cable from view
- ✓ Provided security screws help prevent tampering and theft

#### ■ RATCHET STYLE TILT

Eases the install by allowing the installer to hook the display on at the desired tilt angle

#### ■ UNIVERSAL MOUNTING PATTERN

Wide ranging VESA® pattern accommodates most displays



#### ■ MEDIA CONTROLLER HOUSING

Available area within mount for housing a computer or media player device

#### ■ SERVICE ACCESSIBILITY

Removable rear cover provides computer or media player service access without having to remove the display



Ratchet style tilt from 0° to 15°



**DST995** SmartMount® Flat/Tilt Universal Ceiling Mount with Media Player Device Storage for 40" to 95" Displays

**Product Specifications**

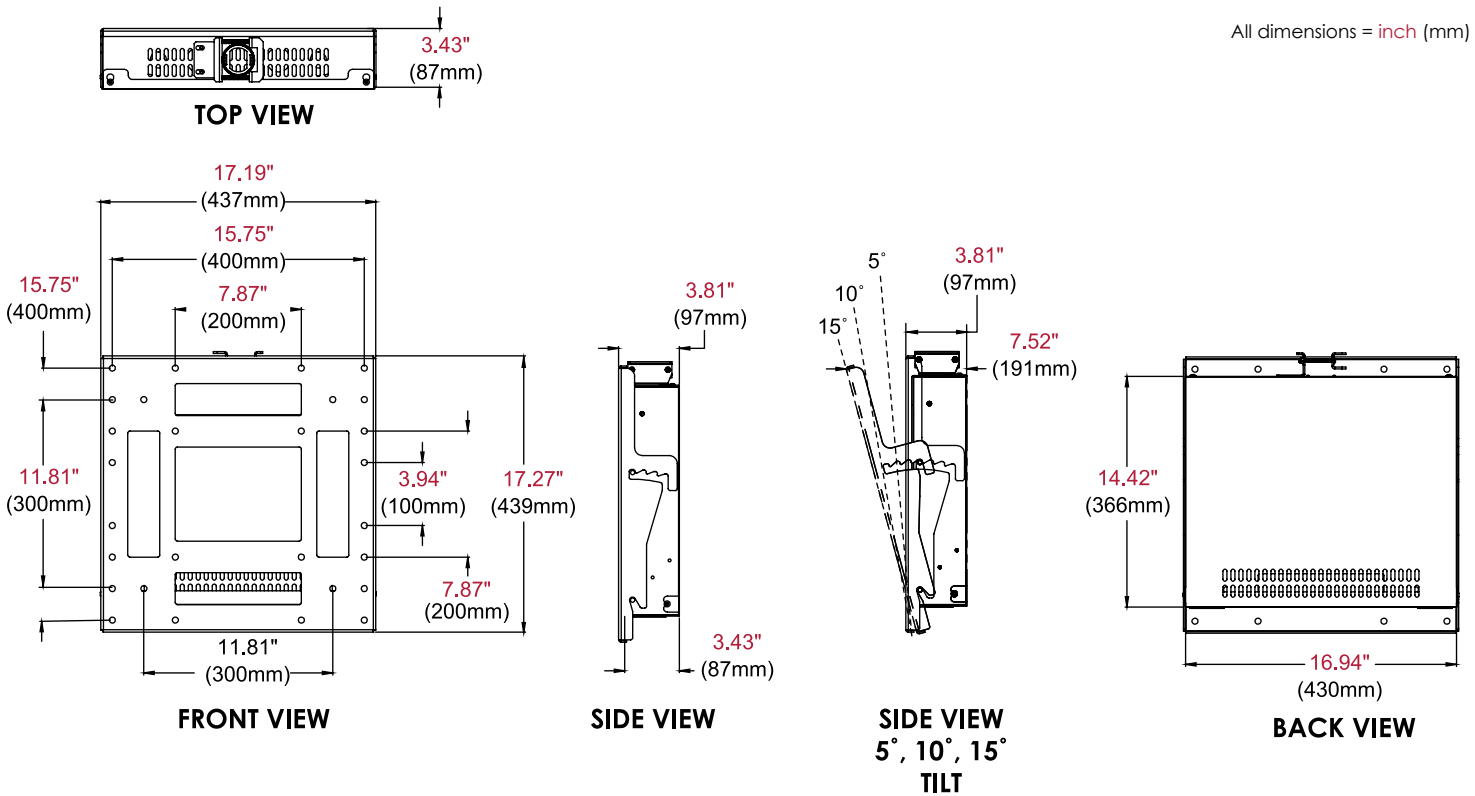
	DIMENSIONS (W X H X D)	PRODUCT WEIGHT	LOAD CAPACITY	FINISH	AVAILABLE COLORS
<b>DST995</b>	17.19" x 17.27" x 3.81" (437 x 439 x 97mm)	16lb (7.3kg)	225lb (102kg)	Matte	Black

**Package Specifications**

	PACKAGE SIZE (W x H x D)	PACKAGE SHIP WEIGHT	PACKAGE UPC CODE	PACKAGE CONTENTS	UNITS IN PACKAGE
<b>DST995</b>	23.50" x 17.50" x 8.25" (597 x 444 x 210mm)	20.5lb (9.3kg)	735029300205	Frame, adaptor, rear cover and mounting hardware	1

**Accessories**

**EXT, AEC & ADD models:** Ceiling Extension Columns  
**ACC-V800X:** Adaptor for VESA® 800 x 400 and 600 x 400mm mounting patterns (130lb (59kg) max load)  
**MOD-P100(-B), MOD-P150(-B), MOD-P200(-B), MOD-P300(-B):** MOD Columns  
 Require MOD-ATA Adaptor (Max load 132lb (60kg))



**Architect Specifications**

The SmartMount® Flat/Tilt Universal Ceiling Mount with Media Player Device Storage shall be a Peerless-AV® model DST995 and shall be located where indicated on the plans. It shall feature scratch resistant black fused epoxy finish. Assembly and installation shall be done according to instructions provided by the manufacturer.

Visit [peerless-av.com](http://peerless-av.com) to see the complete line of AV solutions from Peerless-AV, including outdoor displays, wireless, kiosks, digital audio, display mounts, projector mounts, carts/stands, and a full assortment of accessories.

**Peerless-AV**  
 2300 White Oak Circle  
 Aurora, IL 60502 USA  
**(800) 865-2112**  
**(630) 375-5100**  
**Fax: (800) 359-6500**

**Peerless-AV Europe**  
 Unit 3 Watford Interchange  
 Colonial Way, Watford  
 Herts, WD24 4WP  
 United Kingdom  
**+44 (0) 1923 200100**  
**Fax: +44 (0) 1923 200101**

**Peerless-AV de México**  
 Ave de las Industrias 413  
 Parque Industrial Escobedo  
 Escobedo, N.L.,  
 Mexico 66050  
**+52 (81) 8384-8300**  
**Fax: +52 (81) 8384-8360**

