

FPE42F(H)-EU/UK-S
 FPE47F(H)-EU/UK-S
 FPE55F(H)-EU/UK-S



Display size
40"-55"



Max load
250lb (113kg)

Indoor/Outdoor Protective Enclosures

FOR 40" TO 55" DISPLAYS

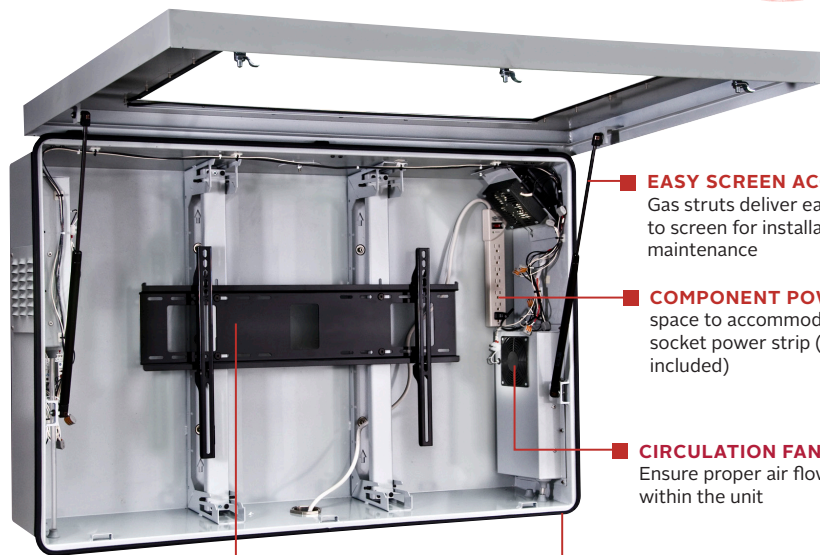
Peerless-AV's display enclosures help create worry-free digital signage. The steel and corrosion resistant enclosures protect the screen from outdoor elements, pollution, theft and vandalism. The enclosures also include built-in tubular keyed compression locks for added security. Peerless-AV's Indoor/Outdoor Protective Enclosures are waterproof and sealed with a rubber gasket, so your enclosure can withstand the elements in any climate. All enclosures are available with a heated or fan-cooled option, and thermostat controlled fans and heat help ensure the display will continue to function in most outdoor conditions.



Peerless-AV's Indoor/Outdoor Protective Enclosures offer easy screen access, making screen installation and maintenance a breeze.

Additional Features

- ✓ Triple corrosion protection with galvanized cold rolled steel, zinc powder primer & powder paint
- ✓ Available in fan cooled or heated model options with thermostat controlled fans to ensure proper air circulation and heat ventilation
- ✓ Shatter-proof tempered glass window
- ✓ Incremental depth adjustment allows for ideal display placement of 1/2" from interior window
- ✓ Tested to IP 56 standards
- ✓ Fits displays with mounting hole patterns 730 x 405mm (28.75"W x 15.95"H)



EASY SCREEN ACCESS
 Gas struts deliver easy access to screen for installation and maintenance

COMPONENT POWER
 space to accommodate 6 socket power strip (not included)

CIRCULATION FANS
 Ensure proper air flow within the unit

RUBBER GASKET SEAL
 Protects from ingress of water and other harmful elements

UNIVERSAL COMPATIBILITY
 Unit includes Peerless-AV's universal display mount PF660 that accommodates displays with up to 600 x 400mm VESA® mounting pattern



Closed view



Thermostat controls



Stainless steel key lock



RoHS
 2002/95/EC

MADE IN USA

Model Numbers

FPE42F-EU/UK-S:	Indoor/Outdoor Protective Enclosure with Cooling Fans for 40"-42" Displays
FPE47F-EU/UK-S:	Indoor/Outdoor Protective Enclosure with Cooling Fans for 46"-47" Displays
FPE55F-EU/UK-S:	Indoor/Outdoor Protective Enclosure with Cooling Fans for 52"-55" Displays
FPE42FH-EU/UK-S:	Indoor/Outdoor Protective Enclosure with Cooling Fans and Thermostat Controlled Heater for 40"-42" Displays
FPE47FH-EU/UK-S:	Indoor/Outdoor Protective Enclosure with Cooling Fans and Thermostat Controlled Heater for 46"-47" Displays
FPE55FH-EU/UK-S:	Indoor/Outdoor Protective Enclosure with Cooling Fans and Thermostat Controlled Heater for 52"-55" Displays

Product Specifications

	DIMENSIONS (W x H x D)	PRODUCT WEIGHT	LOAD CAPACITY	FINISH	AVAILABLE COLORS
FPE42F(H)-EU/UK-S	1306 x 859 x 297mm	68kg (150lb)	113kg (250lb) PF660: 91kg (200lb)	Zinc powder primer and a scratch resistant gray powder paint	Stone gray
FPE47F(H)-EU/UK-S	1416 x 921 x 297mm	73kg (160lb)			
FPE55F(H)-EU/UK-S	1594 x 1021 x 297mm	77kg (170lb)			

AMBIENT TEMPERATURE RANGE	COOLING FAN OPERATING TEMPERATURE	HEATER OPERATING TEMPERATURES	AVAILABLE POWER LOAD WATTAGE	NOTE:
Non-Heated 41 to 95° F (5 to 35° C) Heated -35 to 95° F (-37 to 35° C)	Factory set by Peerless to turn on at 70° F (21° C)	Turns on at 40° ±7° F (4° ±7° C) Turns off at 60° ±5° F (15° ±5° C)	Fan cooled (1550 WATTS) Heated (700 WATTS)	Customisable enclosures and mounts available. Call tech support for further details. IR remotes controls may be blocked depending on placement of sensor on certain displays.

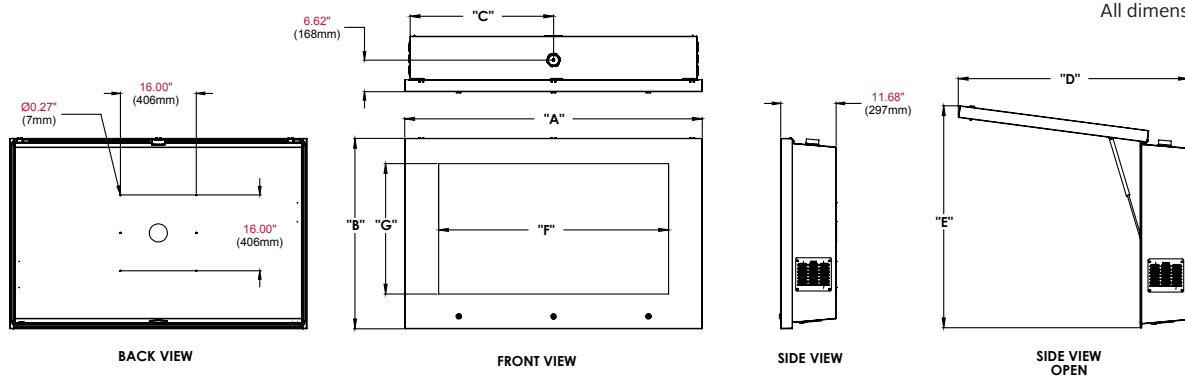
Due to solar loading, the enclosure should not be used in direct sunlight without a high temperature display or the display may go isotropic.

Package Specifications

	PACKAGE SIZE (W x H x D)	PACKAGE SHIP WEIGHT	PACKAGE UPC - EU MODEL	PACKAGE UPC - UK MODEL	PACKAGE CONTENTS	UNITS IN PACKAGE
FPE42F-EU/UK-S	1334 x 921 x 305mm	150lb (68kg)	735029290650	735029292067	Complete enclosure assembly, Peerless-AV PF660 mount, Roxtec cable seals, wood mounting hardware, locks and key	1
FPE47F-EU/UK-S	1448 x 965 x 305mm	160lb (73kg)	735029292098	735029292104		
FPE55F-EU/UK-S	1626 x 1080 x 305mm	170lb (77kg)	735029292128	735029292135		
FPE42FH-EU/UK-S	1334 x 921 x 305mm	155lb (70kg)	735029292074	735029292081		
FPE47FH-EU/UK-S	1448 x 965 x 305mm	165lb (75kg)	735029290100	735029292111		
FPE55FH-EU/UK-S	1626 x 1080 x 305mm	175lb (79kg)	735029291480	735029292142		

Accessories

FPEWM:	Indoor/Outdoor Tilting Wall Mount for FPE Protective Enclosures
FPECMC models:	Indoor/Outdoor Tilting Concrete Ceiling Mount for FPE Protective Enclosures
FPECFMI models:	Indoor/Outdoor Tilting I-Beam Mount for FPE Protective Enclosures
FPEPM models:	Indoor/Outdoor Tilting Pedestal Mount for FPE Protective Enclosures



MODEL NO.	DIMENSION "A"	DIMENSION "B"	DIMENSION "C"	DIMENSION "D"	DIMENSION "E"	DIMENSION "F"	DIMENSION "G"
FPE42F(H)-EU-S FPE42F(H)-UK-S	51.41" (1306mm)	33.80" (859mm)	25.09" (637mm)	42.18" (1071mm)	39.67" (1008mm)	36.50" (927mm)	21.00" (533mm)
FPE47F(H)-EU-S FPE47F(H)-UK-S	55.76" (1416mm)	36.25" (921mm)	26.78" (680mm)	44.65" (1134mm)	42.20" (1072mm)	41.50" (1054mm)	23.50" (597mm)
FPE55F(H)-EU-S FPE55F(H)-UK-S	62.74" (1594mm)	40.18" (1021mm)	30.26" (769mm)	48.51" (1232mm)	46.83" (1189mm)	48.50" (1232mm)	27.50" (699mm)

Architect Specifications

The Peerless-AV Indoor/Outdoor Protective Enclosure shall be model FPE42F(H)-EU/UK-S, FPE47F(H)-EU/UK-S or FPE55F(H)-EU/UK-S and shall be located where indicated on the plans. It shall be constructed of heavy gauge cold rolled steel. Finished with Zinc Powder Primer and a scratch resistant ASA-70 gray protective coating. Assembly and installation shall be done according to instructions provided by the manufacturer.

Visit peerless-av.com to see the complete line of AV solutions from Peerless-AV, including outdoor displays, wireless, kiosks, digital audio, display mounts, projector mounts, carts/stands, and a full assortment of accessories.

Peerless-AV
2300 White Oak Circle
Aurora, IL 60502 USA

(800) 865-2112
(630) 375-5100
Fax: (800) 359-6500

Peerless-AV Europe
Unit 3 Watford Interchange
Colonial Way, Watford
Herts, WD24 4WP
United Kingdom
+44 (0) 1923 200100
Fax: +44 (0) 1923 200101

Peerless-AV de México
Ave de las Industrias 413
Parque Industrial Escobedo
Escobedo, N.L.,
Mexico 66050
+52 (81) 8384-8300
Fax: +52 (81) 8384-8360

