

MOD-FPP2KIT200(-B)



**VESA® Pattern**  
600 x 400mm



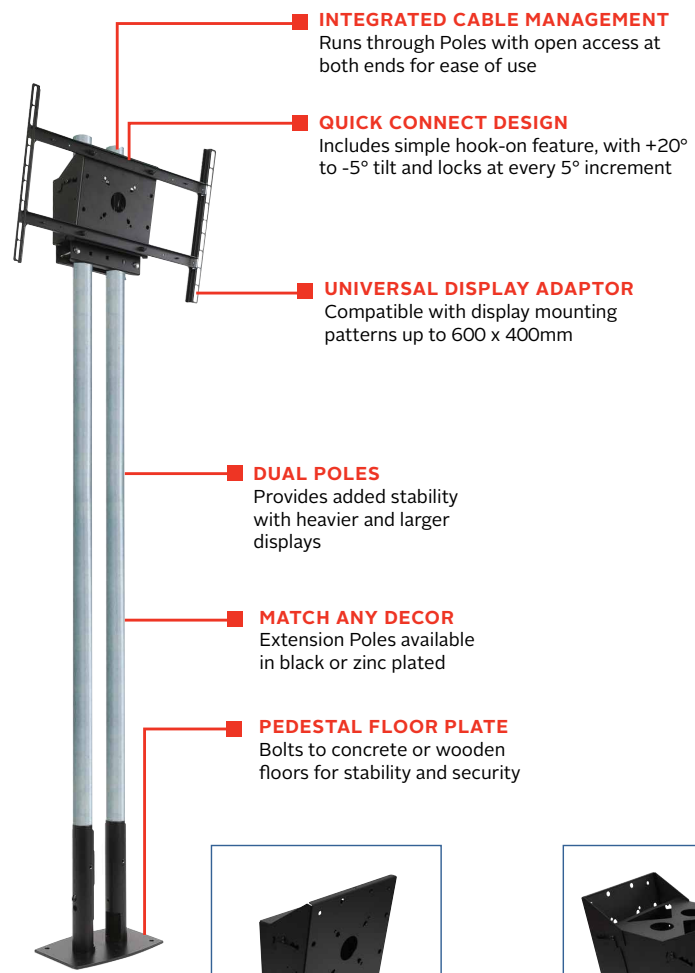
**Max load**  
211lb (96kg)  
per display

# Modular Series Dual Pole Free Standing Kit

FOR 46" TO 90" DISPLAYS

Peerless-AV's Modular Mount Series features a full range of products to fulfill multiple requirements with a limited number of components. The universality of the components allows you to configure your own custom flat-panel display or projector mounting solution for any application. The Modular Mount Series was developed with the professional AV installer in mind with a 2" (50mm) diameter Extension Pole that can be easily cut to length on the job site, making it ideal for new projects as well as for upgrading existing installations. The MOD-FPP2KIT200(-B) Free Standing Mount Kit helps eliminate guesswork, so you can create the perfect installation.

- Kit includes:
  - Pedestal Floor Plate
  - Two 78" (2m) Extension Poles
  - Single Display Mount
  - Display Stacking Clamp
  - Large Universal Adaptor
- Heavy-duty Pedestal Floor Mount securely mounts to wood or concrete floors
- Universal Display Adaptor for 46" to 90" displays with VESA® mounting patterns up to 600 x 400mm
- Display can be positioned at any point along the height of the Poles
- Modular design allows additional displays to be stacked on the Dual Poles



**INTEGRATED CABLE MANAGEMENT**

Runs through Poles with open access at both ends for ease of use

**QUICK CONNECT DESIGN**

Includes simple hook-on feature, with +20° to -5° tilt and locks at every 5° increment

**UNIVERSAL DISPLAY ADAPTOR**

Compatible with display mounting patterns up to 600 x 400mm

**DUAL POLES**

Provides added stability with heavier and larger displays

**MATCH ANY DECOR**

Extension Poles available in black or zinc plated

**PEDESTAL FLOOR PLATE**

Bolts to concrete or wooden floors for stability and security



Add an additional display by using the Single Display Mount accessory, MOD-FPMS2, and Stacking Clamp, MOD-ASC2 (MOD-UNL2 may be required).



Install up to four displays in a back-to-back configuration using the Dual Pole Back-to-Back Display Mount accessories, MOD-FPMD2, and Stacking Clamp, MOD-ASC2 (MOD-UNL2 may be required).



MOD-FPP2KIT200(-B) Modular Series Dual Pole Free Standing Kit for 46" to 90" Displays

**Product Specifications**

	DIMENSIONS (W x H x D)	PRODUCT WEIGHT	LOAD CAPACITY	FINISH	AVAILABLE COLORS
MOD-FPP2KIT200(-B)	24.57" x 88.68" x 7.87" (624 x 2252 x 200mm)	46.0lb (20.9kg)	211lb (96kg) per Display For multi-screen applications, the max system load is 411lb (192kg) with a maximum of two displays positioned on one side of the Poles or four displays back to back.	Powder Coat	MOD-FPP2KIT200: Black with zinc plated Poles  MOD-FPP2KIT200-B: Black with black Poles

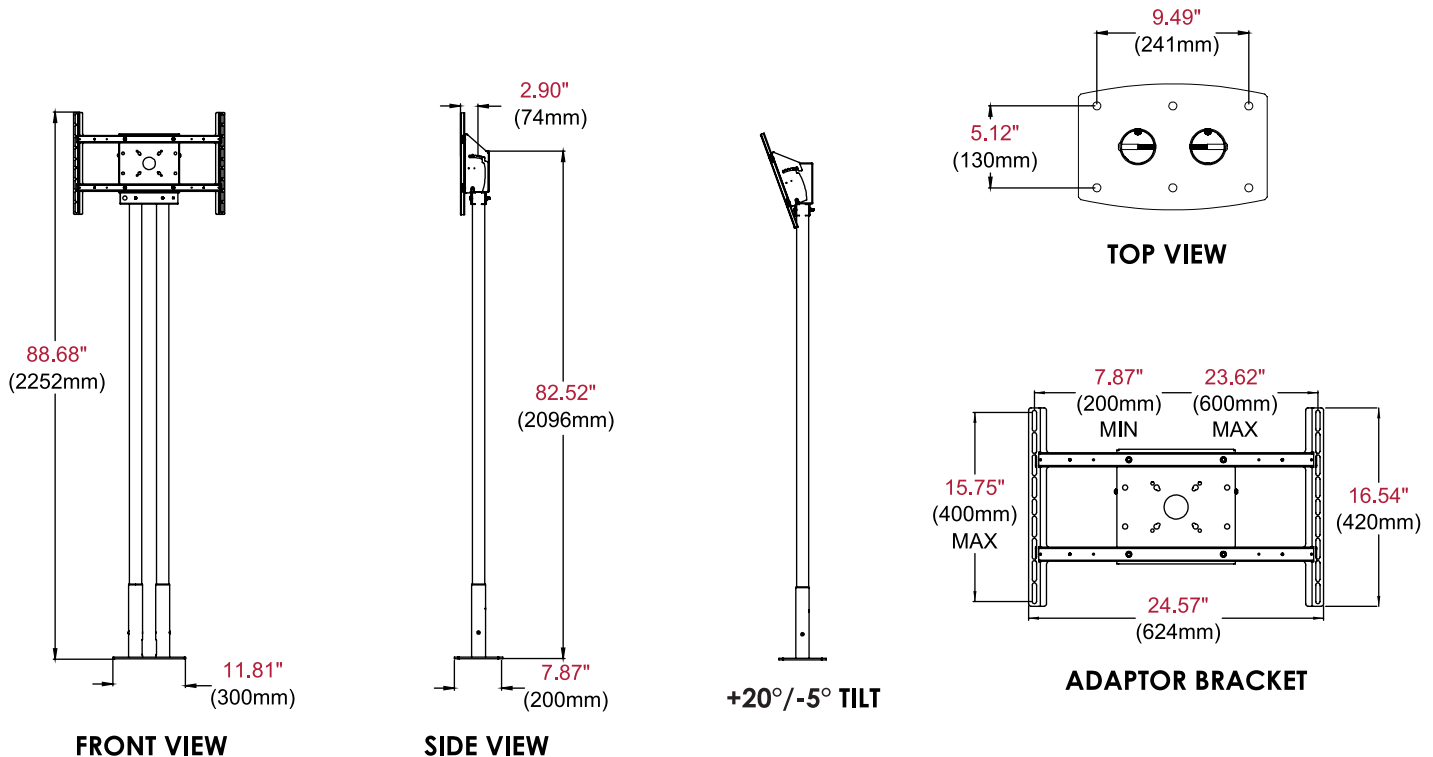
**Package Specifications**

	PACKAGE SIZE (W x H x D)	PACKAGE SHIP WEIGHT	PACKAGE UPC CODE	PACKAGE CONTENTS	UNITS IN PACKAGE
MOD-FPP2KIT200(-B)	BOX1: 25.00 X 16.00 X 16.00" (635 x 406 x 406mm)	32.0lb (14.6kg)	MOD-FPP2KIT200: 735029301806	MOD-FPP2, MOD-FPMS2, MOD-UNL2, MOD-ASC2, (2) MOD-P200, Mounting Hardware & Instructions	1
	BOX 2 & 3: 81.00 X 2.50 X 2.50" (2057 x 64 x 64mm)	10.0lb (4.5kg) each	MOD-FPP2KIT200-B: 735029301813		

**Accessories**

- MOD-FPMS2:** Dual Pole Single Display Mount
- MOD-FPMD2:** Dual Pole Back-to-Back Display Mount
- MOD-ASC2:** Dual Pole Display Mount Stacking Clamp
- MOD-UNL2:** Large Universal Adaptor
- ACC925:** Security Fastener Pack

All dimensions = inch (mm)



**Architect Specifications**

The Modular Series Dual Pole Free Standing Kit shall be a Peerless-AV model MOD-FPP2KIT200(-B) and shall be located where indicated on the plans. Assembly and installation shall be done according to instructions provided by the manufacturer.

Visit [peerless-av.com](http://peerless-av.com) to see the complete line of AV solutions from Peerless-AV, including outdoor displays, wireless, kiosks, digital audio, display mounts, projector mounts, carts/stands, and a full assortment of accessories.

**Peerless-AV**  
2300 White Oak Circle  
Aurora, IL 60502 USA  
  
**(800) 865-2112**  
**(630) 375-5100**  
**Fax: (800) 359-6500**

**Peerless-AV EMEA**  
Unit 3 Watford Interchange  
Colonial Way, Watford  
Herts, WD24 4WP  
United Kingdom  
**+44 (0) 1923 200100**  
**Fax: +44 (0) 1923 200101**

**Peerless-AV Latin America**  
Ave de las Industrias 413  
Parque Industrial Escobedo  
Escobedo, N.L.,  
Mexico 66062  
**+52 (81) 8384-8300**  
**Fax: +52 (81) 8384-8360**

