

SS575K



**Mounting Pattern**  
200 x 200 up to  
600 x 400mm



**Max Load**  
150lb (68.2kg) display  
25lb (11.4kg) media player

# SMARTMOUNT® Universal Kiosk Stand

FOR 32" TO 75" DISPLAYS

The SmartMount® Universal Kiosk Stand's stylish appearance and sturdy construction make it perfect for diverse applications where aesthetics and safety are key. When paired with flat panel displays between 32"-75" it becomes an integral multimedia platform perfect for virtually any public venue. Space is provided under the display mount to house a media player and surge protector, while the internal cable management system organizes and conceals cables, delivering a complete solution ideal for any application.

- Capable of +90° tilt for kiosk applications
- Secure media player storage below the display with simple access to the device without having to remove the display
- Cables can enter and exit on either side anywhere along the column and are held in place with a high tech polymer cover
- Textured black powder coat finish helps hide finger prints and dust
- Universal display adaptor fits mounting patterns from 200 x 200mm to 600 x 400mm and allows mounting in landscape or portrait orientation
- Optional Caster accessory available: ACC979



Shown with Optional Caster Accessory Kit: ACC979



**SS575K** SmartMount® Universal Kiosk Stand for 32" to 75" Displays

**Product Specifications**

	DIMENSIONS (W X H X D)	PRODUCT WEIGHT	LOAD CAPACITY	FINISH	AVAILABLE COLORS
<b>SS575K</b>	35.00" x 46.12" x 29.00" (889 x 1172 x 737mm)	52.4lb (23.8kg)	150lb (68.2kg) display 25lb (11.4kg) media player	Textured Powder Coat	Black

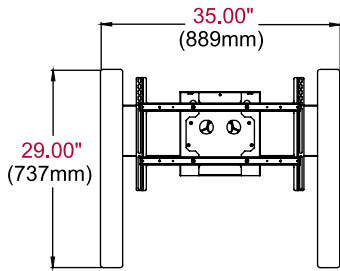
**Package Specifications**

	PACKAGE SIZE (W x H x D)	PACKAGE SHIP WEIGHT	PACKAGE UPC CODE	PACKAGE CONTENTS	UNITS IN PACKAGE
<b>SS575K</b>	47.50" x 38.50" x 7.25" (1207 x 978 x 184mm)	65.4lb (29.7kg)	735029305361	Base, Aluminum Column, Universal Display Adaptor, Media Player Box, Hardware & Instructions	1

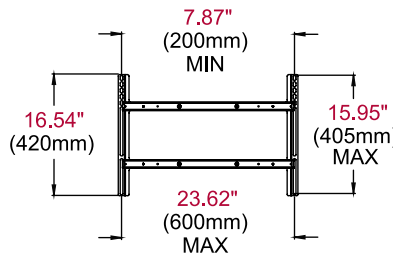
**Accessories**

- ACC310:** Feet Accessory
- ACC316:** Safety Belt
- ACC320:** Electrical Outlet Strip with Cord Wrap
- ACC979:** Caster Accessory Kit
- ACC-UCM:** Universal AV Component Mount
- ACC-V900X:** 600, 800 and 900mm VESA® Adaptor
- MIS995:** 800mm VESA® Adaptor
- MOD-UNL2:** Large Universal Adaptor
- RM12C:** Rotational Mount Interface

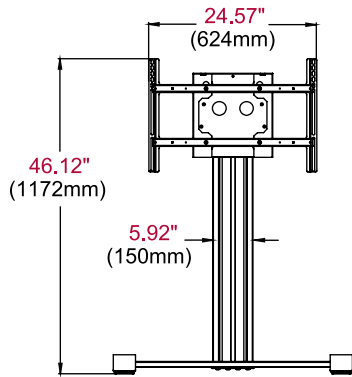
All dimensions = inch (mm)



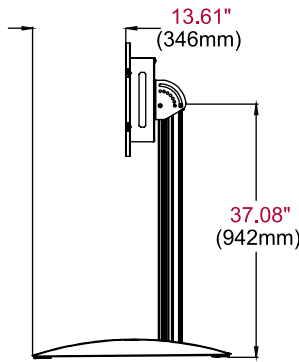
**TOP VIEW**



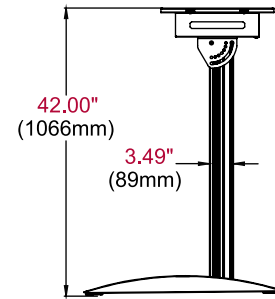
**ADAPTOR PLATE**



**FRONT VIEW  
90° TILT**



**SIDE VIEW  
90° TILT**



**SIDE VIEW  
0° TILT**

**Architect Specifications**

The Smartmount® Universal Kiosk Stand shall be a Peerless-AV model SS575K and shall be located where indicated on the plans. Assembly and installation shall be done according to instructions provided by the manufacturer.

Visit [peerless-av.com](http://peerless-av.com) to see the complete line of AV solutions from Peerless-AV, including outdoor displays, wireless, kiosks, digital audio, display mounts, projector mounts, carts/stands, and a full assortment of accessories.

**Peerless-AV**  
2300 White Oak Circle  
Aurora, IL 60502 USA  
**(800) 865-2112**  
**(630) 375-5100**  
**Fax: (800) 359-6500**

**Peerless-AV EMEA**  
Unit 3 Watford Interchange  
Colonial Way, Watford  
Herts, WD24 4WP  
United Kingdom  
**+44 (0) 1923 200100**  
**Fax: +44 (0) 1923 200101**

**Peerless-AV Latin America**  
Av. de las Industrias 413  
Parque Industrial Escobedo  
General Escobedo, N.L.,  
México, 66062  
**+52 (81) 8384-8300**  
**Fax: +52 (81) 8384-8360**

