

SPK26



Max load
26lb (12kg)

Bookshelf Speaker Mount

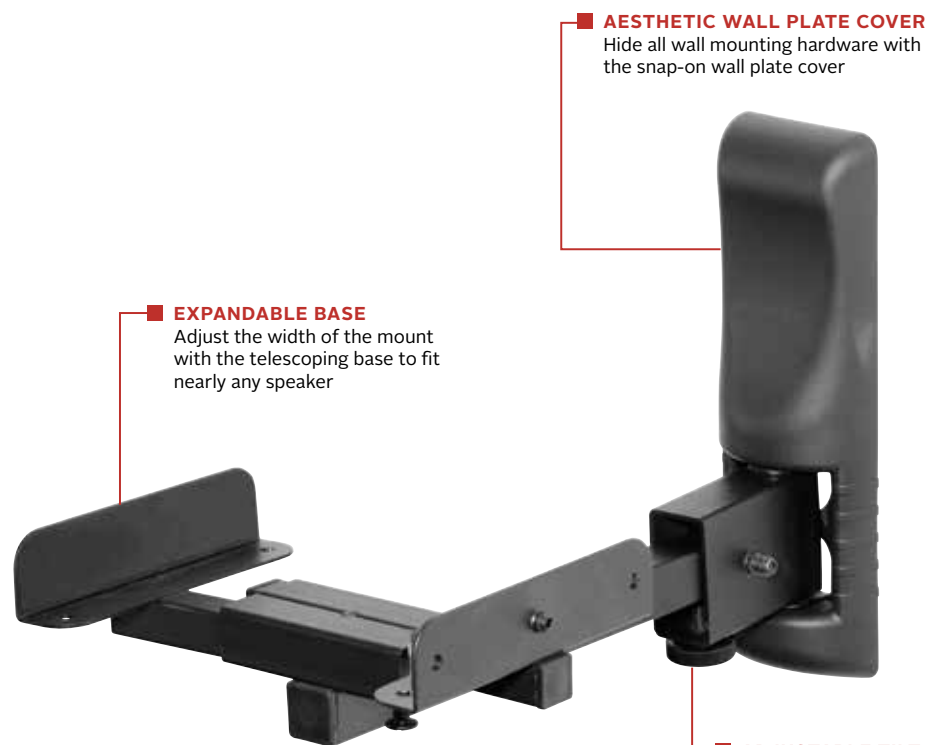
FOR SPEAKERS UP TO 26LB (12KG)

The Peerless-AV® Bookshelf Speaker Mount is the perfect speaker mounting solution for any application. With an expandable base and heavy duty build, the SPK26 was designed to accommodate any book shelf speaker up to 26lb. The adjustable tilt feature allows you to easily raise or lower the speaker to find the ideal height.

The bookshelf speaker mount provides a flexible mounting solution with multiple adjustments for perfect speaker placement.

Additional Features

- ✓ Single Wood Stud / Concrete / Cinder Block Installation
- ✓ Designed for any bookshelf speaker including speakers without threaded inserts or keyhole slots
- ✓ Each mount supports up to 26lb (12kg)
- ✓ Adjust the tilt of your speaker up to +12°/-20°, or swivel the speaker left or right up to ±35°
- ✓ Aesthetic wall plate cover hides the mounting hardware
- ✓ Double sided adhesive foam pads reduce vibration and prevent shifting of the speaker
- ✓ Sturdy mount design is made from steel with scratch resistant powder coat paint



EXPANDABLE BASE

Adjust the width of the mount with the telescoping base to fit nearly any speaker

AESTHETIC WALL PLATE COVER

Hide all wall mounting hardware with the snap-on wall plate cover

ADJUSTABLE TILT

Easily raise or lower the angle of the speaker by adjusting the thumb screw



Speaker mount shown with 5" x 7" (127 X 178mm) bookshelf speaker

RoHS

info@peerless-av.com
peerless-av.com

peerless-AV®

SPK26 Bookshelf Speaker Mount for speakers up to 26lb (12kg)

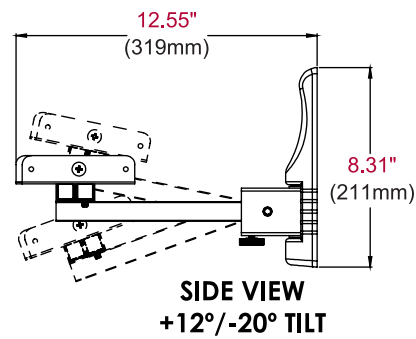
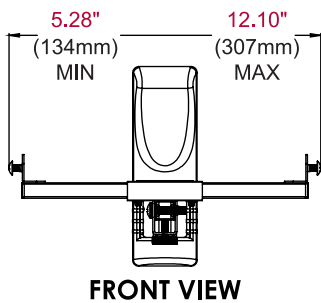
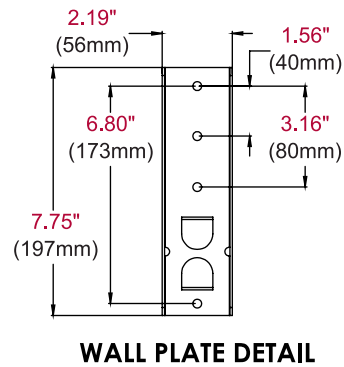
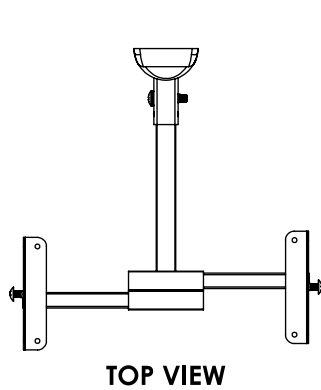
Product Specifications

	DIMENSIONS (W x H x D)	PRODUCT WEIGHT	LOAD CAPACITY	FINISH	AVAILABLE COLORS
SPK26	5.91"-11.02" x 8.27" x 12.28" (150-280 x 210 x 312mm)	4.30lb (1.95kg)	26lb (12kg)	Textured	Black

Package Specifications

	PACKAGE SIZE (W x H x D)	PACKAGE SHIP WEIGHT	PACKAGE UPC CODE	PACKAGE CONTENTS	UNITS IN PACKAGE
SPK26	11.50" x 8.75" x 3.125" (292 x 222 x 79mm)	5.05lb (2.29kg)	735029313250	(2) Speaker Mounts and Wall Mounting Hardware	2

All dimensions = inch (mm)



Architect Specifications

The Bookshelf Speaker Mount shall be a Peerless-AV® model SPK26 and shall be located where indicated on the plans. Assembly and installation shall be done according to instructions provided by the manufacturer.

Visit peerless-av.com to see the complete line of AV solutions from Peerless-AV, including outdoor displays, wireless, kiosks, digital audio, display mounts, projector mounts, carts/stands, and a full assortment of accessories.

Peerless-AV
2300 White Oak Circle
Aurora, IL 60502 USA
(800) 865-2112
(630) 375-5100
Fax: (800) 359-6500

Peerless-AV Europe
Unit 3 Watford Interchange
Colonial Way, Watford
Herts, WD24 4WP
United Kingdom
+44 (0) 1923 200100
Fax: +44 (0) 1923 200101

Peerless-AV de México
Ave de las Industrias 413
Parque Industrial Escobedo
Escobedo, N.L.,
Mexico 66050
+52 (81) 8384-8300
Fax: +52 (81) 8384-8360

