



KIPC2540(-S)  
KIPC2542(-S)  
KIPC2543(-S)



 Display size  
**40", 42" or 43"**

 Max load  
**125lb (56kg)**

# Portrait Kiosk

Fits most 40", 42" or 43" displays less than 4.00" (101mm) deep

Experience the elegance of Peerless-AV's new indoor Portrait Kiosk, designed to support the latest LED displays and touchscreen panels up to 4" deep. With a flat base that can be free standing or bolted to the ground, the kiosk allows for electric and data cable access, making it easy to install and maintain. Plus, the kiosk includes two whisper-quiet, thermostat-controlled exhaust fans to ensure the display and internal components are kept at an optimal temperature. To maintain a clean aesthetic, the kiosk offers an internal tray for media players and cables, as well as lift off, bi-level rear doors that provide direct access to parts requiring maintenance. For theft protection, the kiosk features keyed-alike cam locks specific to the kiosk. From entertaining to wayfinding, the new kiosk is an ideal solution for various indoor application settings, including corporate, retail, and hospitality.

***This sleek, multi-media kiosk incorporates a robust feature set, while maintaining an elegant curved design.***

## Additional Features

- ✓ Designed with American steel, that provides stability, strength and corrosion-resistance for any indoor environment
- ✓ Six outlet, UL- and cUL-approved surge suppressor with 6' cord to protect voltage-sensitive components from damaging power surges
- ✓ Internal micro-adjustments allow for quick positioning of display within the kiosk window for flush alignment
- ✓ Secured doors allow convenient access to the display, media player and other internal components for easy installation and maintenance
- ✓ High-performance, premium powder coat finish protects the unit and extends the product lifespan for years
- ✓ Stand-alone or fully integrated with display, audio components, media player and input components
- ✓ A wide range of custom aesthetic options also available; options include custom color finishes, vinyl logos, wraps, etc.



**WHISPER-QUIET, THERMOSTAT CONTROLLED EXHAUST FANS**  
Ensures internal components operate at the manufacturer's stated temperature

**SLEEK AND STYLISH DESIGN**  
Allows for the ultimate placement flexibility

**BI-LEVEL DOORS**  
Allows access only to the parts requiring maintenance

**INTERNAL COMPONENT TRAY**  
Store media player and cables neatly for a professional finish

**FLAT RECTANGULAR BASE**  
Unobtrusive, sleek design can be free standing or bolted to floor for increased safety and security



Height Adjustability



Depth Adjustability



Keyed-Alike Cam Locks



Component Tray & Shelf



Custom Colors Available



**RoHS**  
2002/95/EC

## Model Numbers

**WARRANTY: 5 years on metal components, 1 year on electronic components**

KIPC2540(-S)	Portrait Kiosk fits 40" displays less than 4.00" (101mm) deep
KIPC2542(-S)	Portrait Kiosk fits 42" displays less than 4.00" (101mm) deep
KIPC2543(-S)	Portrait Kiosk fits 43" displays less than 4.00" (101mm) deep

## Product Specifications

	DIMENSIONS (W x H x D)	PRODUCT WEIGHT	LOAD CAPACITY	FINISH	AVAILABLE COLORS
KIPC2540(-S) KIPC2542(-S) KIPC2543(-S)	28.00" x 72.20" x 18.00" (711 x 1834 x 457mm)	KIPC2540(-S): 161lb (73kg) KIPC2542(-S): 160lb (72kg) KIPC2543(-S): 159lb (72kg)	125lb (56kg)	Powder Coat	KIPC2540, KIPC2542, KIPC2543: Gloss Black KIPC2540-S, KIPC2542-S, KIPC2543-S: Silver

## Package Specifications

	PACKAGE SIZE (W x H x D)	PACKAGE SHIP WEIGHT	PACKAGE UPC CODE	PACKAGE CONTENTS	UNITS IN PACKAGE
KIPC2540(-S) KIPC2542(-S) KIPC2543(-S)	38.00" x 79.00" x 27.00" (965 x 2007 x 685mm)	KIPC2540(-S): 201lb (91kg) KIPC2542(-S): 200lb (91kg) KIPC2543(-S): 199lb (90kg)	KIPC2540: 735029315247 KIPC2542: 735029315261 KIPC2543: 735029315285 KIPC2540-S: 735029315254 KIPC2542-S: 735029315278 KIPC2543-S: 735029315292	Kiosk Enclosure, Display Mount, Installation Instructions and Mounting Hardware	1

## Available Custom Kiosk Accessories

Hdmi and Component Video Cables  
Stereo Speaker System with Amplifier  
Logitech Webcams

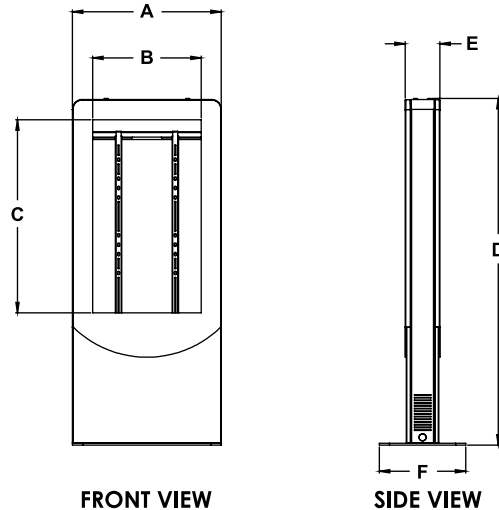
Clear or Non-glare Tempered Glass  
Clear or Non-glare Polycarbonate  
Logos And Graphics

### Agion Antimicrobial Protection:

Agion® antimicrobial\* finish available to assist in controlling the spread of infections. Contact Peerless-AV Customer Care for more information.

Contact Peerless-AV Customer Care for more information at [info@peerless-av.com](mailto:info@peerless-av.com) or 800.865.2112

\*Antimicrobial protection is limited to the treated article and does not protect a user against disease causing bacteria. Always clean products thoroughly after each use.



All dimensions = inch (mm)

MODEL NO.	DIMENSION "A"	DIMENSION "B"	DIMENSION "C"	DIMENSION "D"	DIMENSION "E"	DIMENSION "F"
KIPC2540	28.00" (711mm)	19.67" (500mm)	34.97" (888mm)	72.24" (1835mm)	7.14" (181mm)	18.00" (457mm)
KIPC2542	28.00" (711mm)	20.65" (525mm)	36.72" (933mm)	72.24" (1835mm)	7.14" (181mm)	18.00" (457mm)
KIPC2543	28.00" (711mm)	21.13" (537mm)	37.59" (955mm)	72.24" (1835mm)	7.14" (181mm)	18.00" (457mm)

## Architect Specifications

The Portrait Kiosk shall be a Peerless-AV model KIPC2540(-S), KIPC2542(-S) or KIPC2543(-S) and shall be located where indicated on the plans. Assembly and installation shall be done according to instructions provided by the manufacturer.

Visit [peerless-av.com](http://peerless-av.com) to see the complete line of AV solutions from Peerless-AV, including outdoor displays, wireless, kiosks, digital audio, display mounts, projector mounts, carts/stands, and a full assortment of accessories.

**Peerless-AV**  
2300 White Oak Circle  
Aurora, IL 60502 USA  
  
(800) 865-2112  
(630) 375-5100  
Fax: (800) 359-6500

**Peerless-AV Europe**  
Unit 3 Watford Interchange  
Colonial Way, Watford  
Herts, WD24 4WP  
United Kingdom  
+44 (0) 1923 200100  
Fax: +44 (0) 1923 200101

**Peerless-AV de México**  
Ave de las Industrias 413  
Parque Industrial Escobedo  
Escobedo, N.L.,  
Mexico 66050  
+52 (81) 8384-8300  
Fax: +52 (81) 8384-8360

**peerless-AV®**