

UV492



# 49" UltraView™ UHD Outdoor TV

The UltraView™ UHD Outdoor TV is an all-season solution for outdoor entertainment and living. This outdoor TV is all weather rated, maintenance-free and has an operating temperature range of -22°F to 122°F. With 4K resolution and an IPS panel, the UltraView meets the full UHD specifications, providing exceptional color and video quality from any viewing angle. The TV is also equipped with a High TNI panel, which allows for direct sunlight readability without the risk of isotropic blackout. Whether you want an outdoor TV above your backyard fireplace or by the pool, quality outdoor entertainment is now a reality with UltraView.



Operating Temperature Range:  
-22°F - 122°F  
(-30°C - 50°C)

4K ULTRA HD™

- Operating temperature range of -22°F to 122°F
- High TNI panel allows for direct sunlight readability without the risk of isotropic blackout
- IPS panel allows for accurate color representation when viewing off axis
- USB media support allows still images, video and audio to be played from an attached USB flash drive
- IR extender provides flexibility for integration with control systems
- Supports HDMI 2.0 and HDCP 2.2 for increased compatibility with 4K sources
- Waterproof universal remote can control up to 3 additional devices
- Internal speakers provide excellent sound without detracting from the TV's aesthetics
- Optional Accessory: Xtreme™ Outdoor Soundbar mounts right below or above the TV



**MAINTENANCE-FREE DESIGN**  
No need to ever change filters

**RUGGED EXTERIOR**  
Aluminum construction materials provide the ultimate defense against weather and discoloration

**IPS PANEL**  
Provides exceptional picture quality from any angle



Waterproof Universal Remote



Sealed cable entry helps prevent water and debris from getting inside



**UV492** 49" UltraView™ UHD Outdoor TV

**LCD Display**

SCREEN SIZE	49" diagonal
ASPECT RATIO	16:9
RESOLUTION	3840 X 2160
BRIGHTNESS	500cd/m <sup>2</sup>
CONTRAST RATIO	1100:1
VIEWING ANGLE	178° Vertical/Horizontal
RESPONSE TIME	8 ms (Gray to Gray)
REFRESH RATE	60Hz
OPERATING TIME	16/7

**Environmental**

STORAGE AND OPERATING TEMPERATURE	-22°F to 122°F (-30°C to 50°C)
IP RATING	IP55

**Mechanical**

SIZE (W x H x D)	45.13" x 26.64" x 3.95" (1146 x 677 x 100mm)
INPUT COMPARTMENT (W x H x D)	11.016" x 4.450" x 2.38" (280 x 113 x 60mm)

**TV Controller Features**

ANALOG TV	NTSC
DIGITAL TV	ATSC, MPEG4, QAM256, H.264
PICTURE ADJUSTMENT	Brightness/Contrast/Tint Sharpness/Color/Noise Reduction
PICTURE MODE	Standard, Dynamic, Personal, Theater
COLOR TEMPERATURE ADJUSTMENT	Cool, Normal, Warm
SCREEN ADJUSTMENT	4:3, 16:9, Full, Zoom
CLOCK, SLEEP TIMER	Yes
V-CHIP	Yes

**Power**

AC INPUT	110 VAC to 240 VAC, 50 to 60 Hz
POWER CONSUMPTION	Nominal - 120W Max - 153W

VESA® PATTERN	400 x 200mm
NET WEIGHT	55lb (24.95kg)
COLOR	Black

**Input/Output Connections**

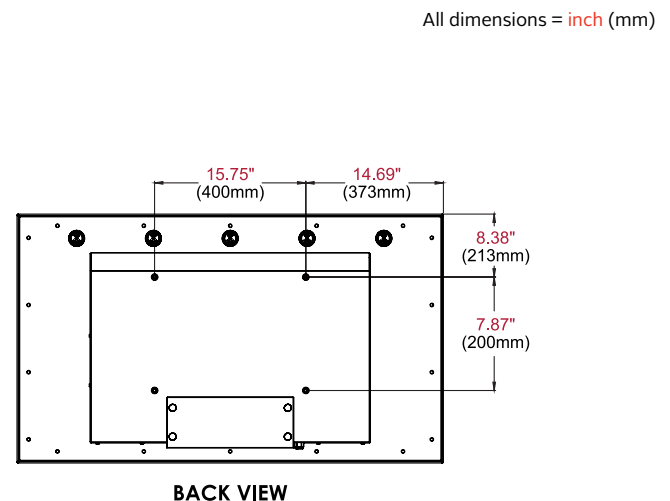
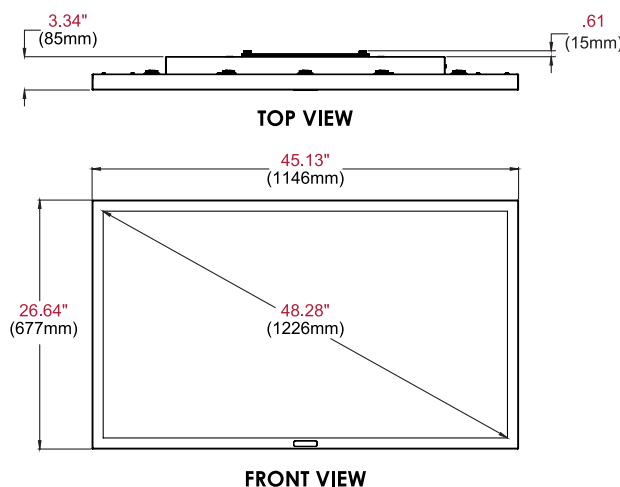
TV INPUT	Coax, 75 ohm (x1)
VGA INPUT	15 pin D-SUB (x1)
HDMI INPUT	HDMI 2.0, HDCP 2.2 (x3), 480p, 720p, 1080i, 1080p, 2160p
DISPLAY PORT	DisplayPort (x1), 480i, 480p, 720p, 1080i, 1080p, 2160p
CVBS INPUT	3.5mm (x1)
YPBPR INPUT	3.5mm (x1), 480i, 480p, 720p, 1080i
VGA STEREO AUDIO INPUT	3.5mm (x1)
AUDIO STEREO OUTPUT	5W + 5W, Analog 3.5mm Headphone Jack
USB 2.0	USB A (Female) (x1)
RS232	DB-9 (Female)
TOSLINK DIGITAL AUDIO OUTPUT	Optical (x1)
IR EXTENDER	3.5mm (x1)
5VDC 2.4A OUTPUT (USB POWER)	USB A (Female) (x1)
12VDC 2.5A OUTPUT	Barrel 2.5mm (ID), 5.5mm (OD) (x1)

**Package Specifications**

	PACKAGE SIZE (W x H x D)	PACKAGE SHIP WEIGHT	PACKAGE UPC CODE	PACKAGE CONTENTS	UNITS IN PACKAGE
<b>UV492</b>	48.94" x 30.75" x 8.35" (1243 x 781 x 212mm)	69.5lb (31.52kg)	735029314356	Display, Universal Remote Control, Manual, Input Cover Panel, Display Cover and IR Extender	1

**Accessories**

<b>EPT650:</b> Outdoor Universal Tilt Wall Mount	<b>ACCD-05K:</b> 5V DC Power Kit
<b>ESA763PU:</b> Outdoor Articulating Wall Mount	<b>ACCD-12K:</b> 12V DC Power Kit
<b>SPK-080:</b> Xtreme™ Outdoor Soundbar	<b>ACCD-ALG:</b> Analog Accessory Kit
<b>HDS-OWRE-300:</b> Wireless Outdoor Integration Module	



All dimensions = inch (mm)

**Architect Specifications**

The UltraView™ UHD Outdoor TV shall be a Peerless-AV model UV492 and shall be located where indicated on the plans. Assembly and installation shall be done according to instructions provided by the manufacturer.

Visit [peerless-av.com](http://peerless-av.com) to see the complete line of AV solutions from Peerless-AV, including outdoor displays, kiosks, digital audio, display mounts, projector mounts, carts/stands, and a full assortment of accessories.

**Peerless-AV**  
2300 White Oak Circle  
Aurora, IL 60502 USA  
**(800) 865-2112**  
**(630) 375-5100**  
**Fax: (800) 359-6500**

**Peerless-AV EMEA**  
Unit 3 Watford Interchange  
Colonial Way, Watford  
Herts, WD24 4WP  
United Kingdom  
**+44 (0) 1923 200100**  
**Fax: +44 (0) 1923 200101**

**Peerless-AV Latin America**  
Av. de las Industrias 413  
Parque Industrial Escobedo  
General Escobedo, N.L.,  
México, 66062  
**+52 (81) 8384-8300**  
**Fax: +52 (81) 8384-8360**

