

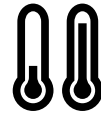
KOP2546(-S)-OHF
KOP2555(-S)-OHF



Smart City Kiosks

DESIGNED FOR 46" OR 55" **SAMSUNG** OHF DISPLAYS

Replace static signage with Peerless-AV's award-winning Smart City Kiosk for greater public engagement and seamless updates of digital content whenever, wherever. With a focus on functionality and aesthetics, the Smart City Kiosk is designed to be modern, approachable, practical, and endure the rigors of everyday use. Installation is easy without the need for cranes or forklifts, and the locking rear door offers quick access to the display for maintenance. An optional 10-point IR touch overlay, for the display, makes the kiosk interactive for all users. Peerless-AV's all-weather rated Smart City Kiosk is ideal for sharing community information, travel, and weather details, as well as wayfinding, advertising, entertainment, and more.



Display's Operating Temperature Range:
-22°F to 122°F
(-30°C to 50°C)



OPTIONAL PLUG & PLAY 10-POINT IR TOUCH OVERLAY
Tested to IP56 standards to provide protection from water and dust, and works well with many input devices such as finger, glove or pointer

ULTRA SLIM DESIGN
Sleek and stylish, yet rugged enough to be installed in any application

MEDIA STORAGE AREA
Protects electronic components with filters and cooling fans

- Supports Samsung 46" (OH46F) or 55" (OH55F) displays to offer maximum flexibility
- Elegant, minimalistic design covers, protects and ventilates display and equipment
- No additional layer of glass needed between display and enclosure, reducing glare
- Wind tested up to 140 mph
- Easily add-on additional technology components for enhanced functionality, such as IR touch overlays, cameras, routers, antennas and more

Kiosk: **RoHS**
2012/21/EC

KOP2546(-S)-OHF Smart City Kiosk, Designed for 46" Samsung OHF Display
 KOP2555(-S)-OHF Smart City Kiosk, Designed for 55" Samsung OHF Display

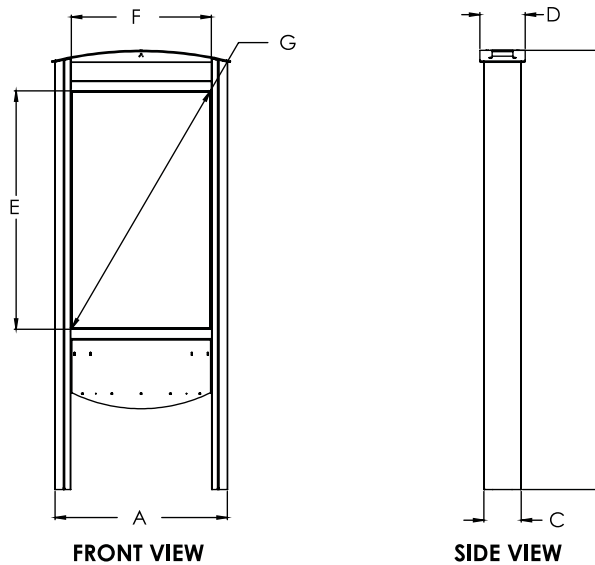
Product Specifications

	DIMENSIONS (W x H x D)	STORAGE SPACE (W x H x D)	PRODUCT WEIGHT	FINISH	AVAILABLE COLORS
KOP2546(-S)-OHF	32.38" x 82.34" x 8.50" (822 x 2091 x 216mm)	Top: 26.00" x 4.00" x 5.50" (660 x 101 x 139mm) Bottom: 26.00" x 9.00" x 5.25" (660 x 228 x 133mm)	150lb (68kg)	Smooth Powder Coat	Black or Silver
KOP2555(-S)-OHF	35.38" x 82.34" x 8.50" (899 x 2091 x 216mm)	Top: 29.00" x 4.00" x 5.50" (736 x 101 x 139mm) Bottom: 29.00" x 9.00" x 5.25" (736 x 228 x 133mm)	176lb (80kg)		

Package Specifications

	PACKAGE SIZE (W x H x D)	PACKAGE SHIP WEIGHT	PACKAGE UPC CODE	PACKAGE CONTENTS	UNITS IN PACKAGE
KOP2546(-S)-OHF	38.00" x 95.00" x 27.00" (965 x 2413 x 686mm)	170lb (77kg)	KOP2546-OHF: 735029324232 KOP2546-S-OHF: 735029324249	Kiosk, Mounting Hardware and Instructions	1
KOP2555(-S)-OHF		192lb (87kg)	KOP2555-OHF: 735029324256 KOP2555-S-OHF: 735029324263		

All dimensions = inch (mm)



MODEL NO.	DIMENSION "A"	DIMENSION "B"	DIMENSION "C"	DIMENSION "D"	DIMENSION "E"	DIMENSION "F"	DIMENSION "G"
KOP2546-OHF	32.38" (822mm)	82.34" (2091mm)	7.00" (178mm)	8.50" (216mm)	42.08" (1069mm)	24.55" (623mm)	46.00" (1168mm)
KOP2555-OHF	35.38" (899mm)	82.34" (2091mm)	7.00" (178mm)	8.50" (216mm)	50.11" (1273mm)	29.06" (738mm)	55.00" (1397mm)

Architect Specifications

The Smart City Kiosk shall be a Peerless-AV® model KOP2546(-S)-OHF or KOP2555(-S)-OHF and shall be located where indicated on the plans. Assembly and installation shall be done according to instructions provided by the manufacturer.

Visit peerless-av.com to see the complete line of AV solutions from Peerless-AV, including outdoor displays, wireless, kiosks, digital audio, display mounts, projector mounts, carts/stands, and a full assortment of accessories.

Peerless-AV
 2300 White Oak Circle
 Aurora, IL 60502 USA
(800) 865-2112
(630) 375-5100
Fax: (800) 359-6500

Peerless-AV EMEA
 Unit 3 Watford Interchange
 Colonial Way, Watford
 Herts, WD24 4WP
 United Kingdom
+44 (0) 1923 200100
Fax: +44 (0) 1923 200101

Peerless-AV Latin America
 Ave de las Industrias 413
 Parque Industrial Escobedo
 Escobedo, N.L.,
 Mexico 66062
+52 (81) 8384-8300
Fax: +52 (81) 8384-8360

