

## SR560-FLIP



**Mounting Pattern**  
400 x 400mm



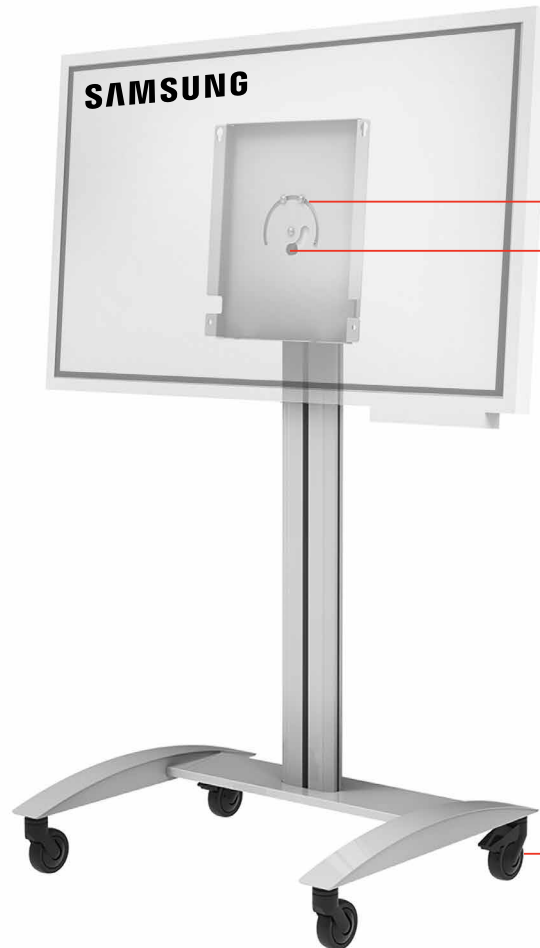
**Max Load**  
90lb (41kg)

# Mobile Cart with Rotational Interface

FOR THE 55" (WM55H, WM55R) AND 65" (WM65R\*) **SAMSUNG FLIP**

Peerless-AV's Mobile Cart with Rotational Interface has been designed to support the features and functionality of the 55" and 65" Samsung Flip displays. Mobility, appealing design, display height adjustment and a pre-assembled base ensure quick assembly, while providing a rigid, but attractive structure to match the display's aesthetics. The 4" casters make it easy to move from room to room and optional bumper accessories ensure nothing is damaged along the way. The mount's rotational interface allows the user to easily rotate the display 90° from landscape to portrait, and holds the display at a negative 4.5° to further promote ergonomics with a more natural angled writing surface. The unique cable management system allows cables to be routed through the interface, which keeps the cabling safe and abrasion free when rotating the display. With a robust feature set featured on safety and durability, the Mobile Cart with Rotational Interface is ideal for collaboration spaces in corporate or education settings.

- Display can be located anywhere along the column for perfect viewing height (up to 60" at center)
- Integrated cable management protects, contains and conceals cables for a clean, professional installation
- Rotational interface holds the display at a negative 4.5° to further promote ergonomics and a more natural writing surface
- Pre-assembled base provides rigidity, stability and quick assembly
- Gloss white, powder coat finish closely matches the Samsung Flip finish
- 400 x 400 VESA® and custom length M8 hardware provide the proper mounting solution for the Samsung Flip
- Cart includes (4) plastic base pads for instances when casters are not needed



### ■ PORTRAIT/LANDSCAPE

Rotational interface allows the display to be easily rotated from landscape to portrait orientation without any tools

### ■ CABLE MANAGEMENT ACCESS

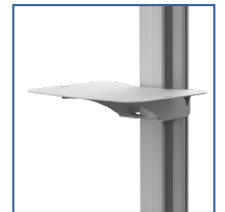
Provides routing options on both sides of the mount for power and data

### ■ SAFE AND EASY MANEUVERABILITY

4" (102mm) swivel casters (two locking) meet UL/CUL requirements



ACC-FLIP65 required for mounting the 65" Samsung Flip.



Shown with Rear Metal Shelf (ACC-MSF-W).

\*ACC-FLIP65 Accessory Mounting Kit required for the WM65R only.



**SR560-FLIP** Mobile Cart with Rotational Interface for the 55" (WM55H, WM55R) and 65" (WM65R\*) Samsung Flip

**Product Specifications**

\*ACC-FLIP65 Accessory Mounting Kit required for the WM65R only.

	DIMENSIONS (W X H X D)	PRODUCT WEIGHT	LOAD CAPACITY	FINISH	AVAILABLE COLORS
<b>SR560-FLIP</b>	35.01" x 64.23" x 29.00" (889 x 1632 x 737mm)	71lb (32.2kg)	90lb (41kg)	Powder Coat	Gloss White

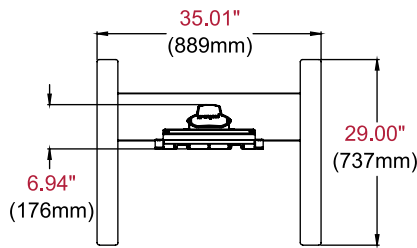
**Package Specifications**

	PACKAGE SIZE (W x H x D)	PACKAGE SHIP WEIGHT	PACKAGE UPC CODE	PACKAGE CONTENTS	UNITS IN PACKAGE
<b>SR560-FLIP</b>	47.00" x 38.50" x 12.50" (1194 x 978 x 318mm)	83lb (37.6kg)	735029324652	Assembled Base, Aluminum Column, Universal Display Adaptor, (2) Swivel Casters, (2) Locking Swivel Casters, (4) Plastic Base Pads, Hardware & Instructions	1

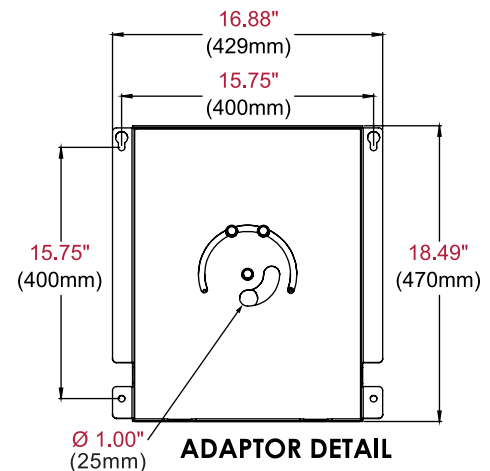
**Accessories**

- |  |  |
|--|--|
| <b>ACC310:</b> Leveling Feet Accessory                             | <b>ACC-BPR:</b> Bumper Accessory for Legs  |
| <b>ACC316:</b> Safety Belt   | <b>ACC-LA:</b> Laptop Arm                  |
| <b>ACC320:</b> Electrical Outlet Strip with Cord Wrap              | <b>ACC-MS:</b> Metal Shelf                 |
| <b>ACC-FLIP65:</b> Accessory Mounting Kit for the 65" Samsung Flip | <b>ACC-MSF-W:</b> Rear Metal Shelf (White) |

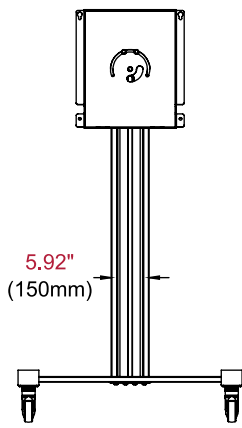
All dimensions = inch (mm)



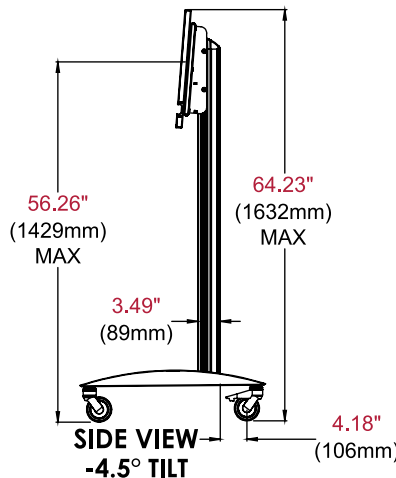
**TOP VIEW**



**ADAPTOR DETAIL**



**FRONT VIEW**



**SIDE VIEW  
-4.5° TILT**

**Architect Specifications**

The Mobile Cart with Rotational Interface shall be a Peerless-AV model SR560-FLIP and shall be located where indicated on the plans. Assembly and installation shall be done according to instructions provided by the manufacturer.

Visit [peerless-av.com](http://peerless-av.com) to see the complete line of AV solutions from Peerless-AV, including outdoor displays, wireless, kiosks, digital audio, display mounts, projector mounts, carts/stands, and a full assortment of accessories.

**Peerless-AV**  
2300 White Oak Circle  
Aurora, IL 60502 USA  
**(800) 865-2112**  
**(630) 375-5100**  
**Fax: (800) 359-6500**

**Peerless-AV EMEA**  
Unit 3 Watford Interchange  
Colonial Way, Watford  
Herts, WD24 4WP  
United Kingdom  
**+44 (0) 1923 200100**  
**Fax: +44 (0) 1923 200101**

**Peerless-AV Latin America**  
Av. de las Industrias 413  
Parque Industrial Escobedo  
General Escobedo, N.L.,  
México, 66062  
**+52 (81) 8384-8300**  
**Fax: +52 (81) 8384-8360**

