

KIPICT2555



Display Size
55"



- All-in-one LCD digital touch kiosk powered by BrightSign® to design and publish interactive or non-interactive content with the embedded BrightSign® XT1144 Expanded I/O Player
- Quick and easy set-up via microSD card, USB or cable
- Standard HTML5 engine supports flawless playback of content and modular assets layered with video
- Full HD video and audio streaming
- 6W speaker, located on each leg, and an internal 3.5mm jack allows for multiple audio options
- Includes multiple AC 6' power cords for North America, United Kingdom, Europe and Australia

All-in-One Kiosk Powered by BrightSign®

Peerless-AV's new All-in-One Portrait Kiosk is the ideal solution for a variety of digital signage applications, such as retail, corporate, hospitality, transportation, education and more. This kiosk, powered by BrightSign®, delivers flawless Full HD 1080p60 single video decoding, HTML support, networked content playback, as well as an abundant set of features like interactivity via the GPIO port, remote snapshot, live text, media feeds and multi-zone. The kiosk's sleek, stylish design offers the ruggedness needed for public use, as well as simple installation and maintenance.



WI-FI ENABLED
Remotely control messaging and interact with the kiosk using a Wi-Fi enabled device (tablet, computer, phone, etc.)

COMMERCIAL GRADE LG PANEL
Designed to withstand long operating hours with thermal characteristics built in the internal design for proper heat dissipation

TEN-POINT IR TOUCH SCREEN
Works with many input devices such as finger, glove, pointer, etc. to engage audiences



ULTRA SLIM DESIGN
Sleek and stylish, yet rugged enough to be installed in any indoor application



KEYED ACCESS AREA
Low profile tubular key lock provides enhanced security and prevents unwanted openings. Key also opens storage area.

MOUNT TO FLOOR
Flat rectangular base allows kiosk to be free standing or bolted to floor with 1/2" anchors for increased safety and security



KIPICT2555 All-in-One Kiosk Powered by BrightSign®

Display

SCREEN SIZE	55" Diagonal
ASPECT RATIO	16:9
BRIGHTNESS	450cd/m ²
VIEWING ANGLE	178°
RESPONSE TIME	9ms
REFRESH RATE	120Hz
RESOLUTION	1920 x 1080
CONTRAST RATIO	5000:1
PICTURE ADJUSTMENT	Brightness/Contrast/Color/Sharpness/Tint/Color Temperature
PICTURE MODE	Dynamic/Standard/Mild/User
COLOR TEMPERATURE	Cool/Medium/Warm/User

SCREEN ADJUSTMENT	Normal
CLOCK, SLEEP TIMER	Yes
SOFTWARE	BrightAuthor by BrightSign
INTEGRATED PLAYER	BrightSign® XT1144 Expanded I/O Player
SD SLOT	SDHC
CONTROL	GPIO
WIFI	Yes
BLUETOOTH	Yes
USB	2.0 (x2)
LAN	RJ45 (12/100)
AUDIO OUT	3.5mm Stereo Mini Jack
SPEAKERS	Included 6W x 2 AT 8Ω

Supported Media

VIDEO	AVI, MP4, TS, TRP, MKV, MOV, MPG, DAT, VOB
CONTROL	GPIO
IMAGE	BMP, JPG, JPEG, PNG
AUDIO	MP3
POWER	AC 100-240 V (50HZ-60HZ)
POWER CONSUMPTION	60W
OPERATING TEMPERATURE	32-122°F (0-50°C)
LISTINGS	ETL, FCC, CE

Interactive

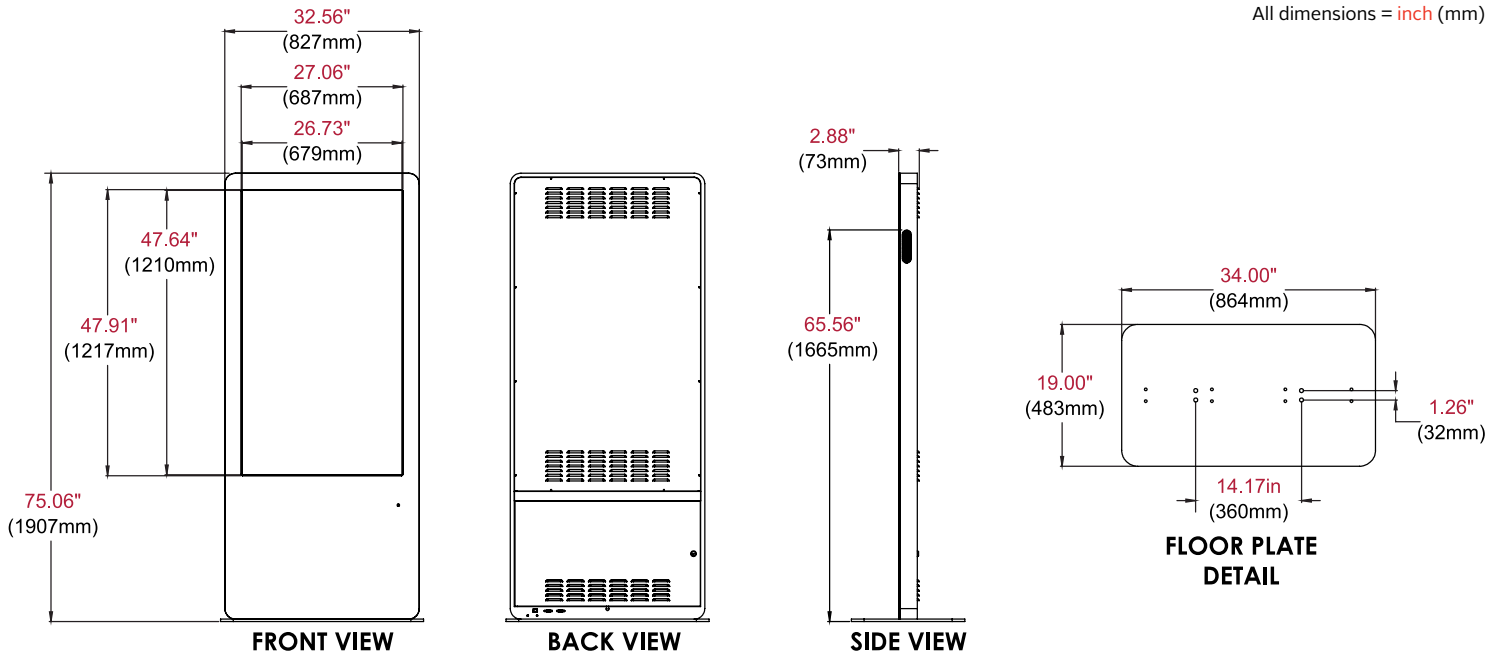
INTERACTIVE TECHNOLOGY	IR
TOUCH POINTS	10 Point

Product Specifications

	DIMENSIONS (W x H x D)	PRODUCT WEIGHT	FINISH	AVAILABLE COLORS
KIPICT2555	34.00" x 75.06" x 19.00" (864 x 1907 x 483mm)	194lb (88kg)	Smooth	Gloss Black

Package Specifications

	PACKAGE SIZE (W x H x D)	PACKAGE SHIP WEIGHT	PACKAGE UPC CODE	PACKAGE CONTENTS	UNITS IN PACKAGE
KIPICT2555	38.19" x 83.07" x 21.14" (970 x 2110 x 537mm)	211lb (96kg)	735029325055	Kiosk, Power Cords, Remote Control, Quick Start Guide, Key	1



Architect Specifications

The All-in-One Kiosk Powered by BrightSign® shall be a Peerless-AV® model KIPICT2555 and shall be located where indicated on the plans. Assembly and installation shall be done according to instructions provided by the manufacturer.

Visit peerless-av.com to see the complete line of AV solutions from Peerless-AV, including outdoor displays, wireless, kiosks, digital audio, display mounts, projector mounts, carts/stands, and a full assortment of accessories.

Peerless-AV
 2300 White Oak Circle
 Aurora, IL 60502 USA
(800) 865-2112
(630) 375-5100
Fax: (800) 359-6500

Peerless-AV EMEA
 Unit 3 Watford Interchange
 Colonial Way, Watford
 Herts, WD24 4WP
 United Kingdom
+44 (0) 1923 200100
Fax: +44 (0) 1923 200101

Peerless-AV Latin America
 Ave de las Industrias 413
 Parque Industrial Escobedo
 Escobedo, N.L.,
 Mexico 66062
+52 (81) 8384-8300
Fax: +52 (81) 8384-8360

