

FS-MIS38426



Mounting Pattern
100 x 100mm



Max Load
60lb
(27.2kg)

1x2 Freestanding Desktop Stand

FOR 43" & 49" SAMSUNG SUPER ULTRA-WIDE CURVED MONITORS

Peerless-AV's 1x2 Freestanding Desktop Stand offers a secure, functional and convenient mounting solution for the 43" and 49" Samsung Super Ultra-Wide Curved Monitors, ideal for desk traders, control rooms and gaming applications. The unique design allows (2) 43" or (2) 49" Samsung monitors to be stacked in a 1x2 layout to maximize the ability to view multiple sources simultaneously. A built-in quick release function allows the user to service each monitor individually, which minimizes work flow disruptions. For time sensitive applications that require fully functioning monitors to view live feeds, such as desk traders, Peerless-AV® also offers additional Quick Release Accessories to facilitate even quicker monitor replacement when maintenance is required. The slim base provides a sturdy support for the mounted monitors and a clean look ideal for any work space.

- Dedicated to work with Samsung Super Ultra-Wide Curved Monitors (CJ890 Series)

43": LC43J890DKNXZA

49": C49J890DKN

LC49HG90DMNXZA

C49HG90DMN

LC49RG90SSNXZA

C49RG90SSN

- Cable management provides a clean and clutter free installation
- Low profile base is freestanding for convenient set up



■ QUICK DISCONNECT DESIGN

Pull pin design allows the user to service each monitor individually, which minimizes workflow disruptions



■ ADDITIONAL QUICK RELEASE ACCESSORIES AVAILABLE

ACC-MIS38426 is designed to fit with a single, mounted monitor



Bolt Down Desktop Mount Available
(B-MIS38426)



RoHS

Please visit peerless-av.com/en-us/patents for patent information.

✉ info@peerless-av.com

🌐 peerless-av.com

peerless-AV[®]
Driving Technology Through Innovation

FS-MIS38426 1x2 Freestanding Desktop Stand for 43" & 49" Samsung Super Ultra-Wide Curved Monitors

Product Specifications

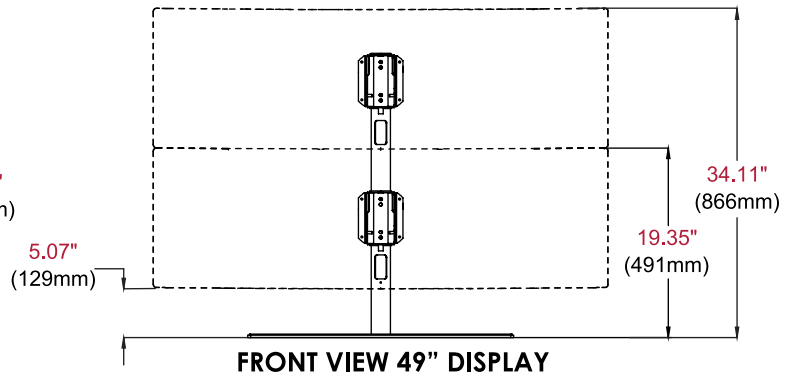
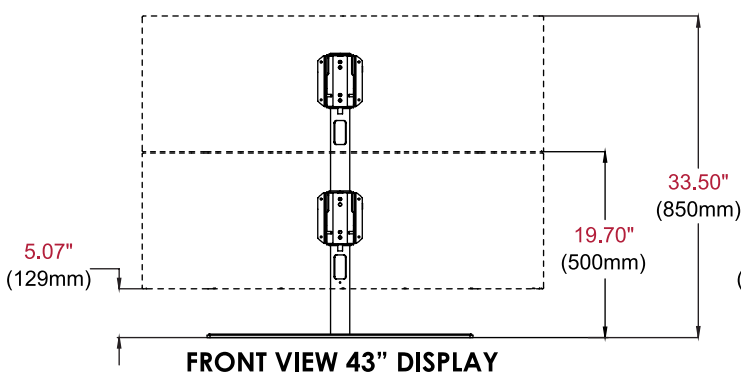
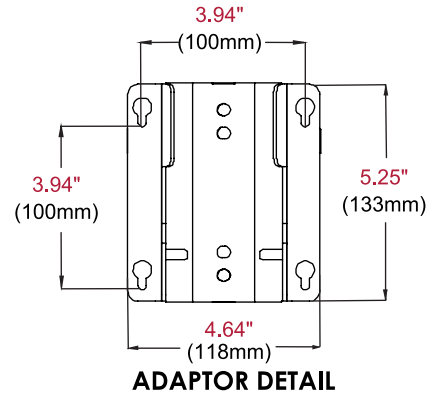
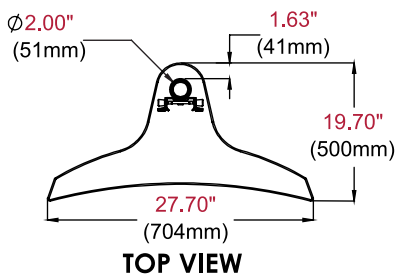
	DIMENSIONS (W x H x D)	PRODUCT WEIGHT	LOAD CAPACITY	FINISH	AVAILABLE COLORS
FS-MIS38426	27.70" x 29.50" x 19.70" (704 x 750 x 500mm)	26.50lb (12kg)	60lb (27.2kg)	Scratch Resistant Fused Epoxy	Matte Black

Package Specifications

	PACKAGE SIZE (W x H x D)	PACKAGE SHIP WEIGHT	PACKAGE UPC CODE	PACKAGE CONTENTS	UNITS IN PACKAGE
FS-MIS38426	28.40" x 5.50" x 16.40" (722 x 140 x 417mm)	28.25lb (13kg)	735029333937	Base, Pole, (2) Adaptor Brackets and Mounting Hardware	1

Accessories ACC-MIS38426: Quick Release Accessory

All dimensions = inch (mm)



Architect Specifications

The 1x2 Freestanding Desktop Stand shall be a Peerless-AV model FS-MIS38426 and shall be located where indicated on the plans. Assembly and installation shall be done according to instructions provided by the manufacturer.

Visit peerless-av.com to see the complete line of AV solutions from Peerless-AV, including outdoor displays, kiosks, digital audio, display mounts, projector mounts, carts/stands, and a full assortment of accessories.

Peerless-AV
2300 White Oak Circle
Aurora, IL 60502 USA
(800) 865-2112
(630) 375-5100
Fax: (800) 359-6500

Peerless-AV EMEA
Unit 3 Watford Interchange
Colonial Way, Watford
Herts, WD24 4WP
United Kingdom
+44 (0) 1923 200100
Fax: +44 (0) 1923 200101

Peerless-AV Latin America
Av. de las Industrias 413
Parque Industrial Escobedo
General Escobedo, N.L.,
México, 66062
+52 (81) 8384-8300
Fax: +52 (81) 8384-8360

