

DS-LEDCLAAF-3X3



Cart/Stand

FOR LG 130" ALL-IN-ONE LED SCREEN (LAA015F)

Peerless-AV's Cart/Stand is designed exclusively for the LG 130" All-in-one LED Screen (LAA015F), offering a slim, space-saving, and aesthetically appealing design. With a sleek, yet sturdy frame and a design that focuses on versatility and ease of cable management, integrators can quickly and easily mount the large LED display configuration as a mobile or fixed solution. Peerless-AV® also offers start to finish support through the SEAMLESS LED Video Wall Integration Program. The Peerless-AV LED Solutions Team is there every step of the way to ensure every customer receives SEAMLESS product support and service.



- Modular display installation lowers cost by reducing the amount of labor required
- Sleek, aesthetically appealing design
- Tested by Peerless-AV® to UL2442 standard to provide a trusted level of safety
- Compatible with LG bezel finishing kit (ACC-LAAMF15) to create a sleek and stylish appearance ideal for any professional application



CABLE MANAGEMENT
Routes through the legs resulting in a clean installation

VERSATILE DESIGN
Includes both casters and feet, allowing this solution to be either mobile or fixed depending on the application

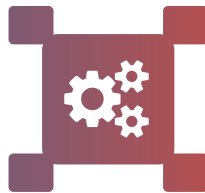
SEAMLESS by Peerless-AV® - LED Video Wall Integration Program offers:



**EXPERT
ENGINEERING & DESIGN**



**CUSTOM
PROJECT MANAGERS**



**FULL INSTALLATION
SERVICES**



**DEDICATED LED
MOUNTING SOLUTIONS**



**Visit Peerless-AV.com/SEAMLESS
to get your project started!**

DS-LEDCLAAF-3x3 Cart/Stand for LG 130" All-in-one LED Screen (LAA015F)

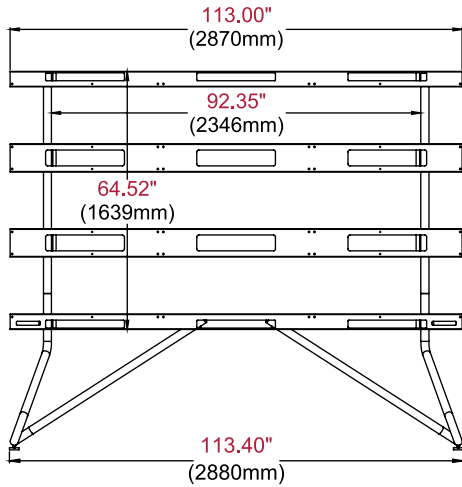
Product Specifications

	DIMENSIONS (W x H x D)	PRODUCT WEIGHT	LOAD CAPACITY	FINISH	AVAILABLE COLORS
DS-LEDCLAAF-3x3	Stand: 113.40" x 94.88" x 38.00" (2880 x 2410 x 965mm) Cart: 113.40" x 99.04" x 38.00" (2880 x 2516 x 965mm)	TBD	425lb (193kg)	Powder Coat & Clear Anodized Finish	Black & Silver

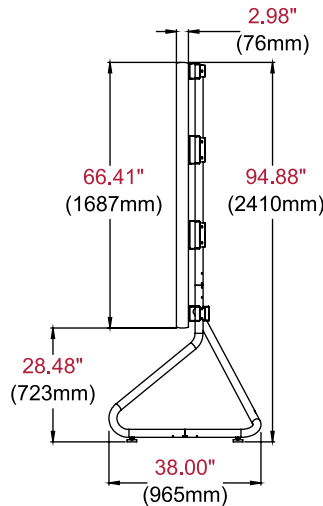
Package Specifications

	PACKAGE SIZE (W x H x D)	PACKAGE SHIP WEIGHT	PACKAGE UPC CODE	PACKAGE CONTENTS	UNITS IN PACKAGE
DS-LEDCLAAF-3x3	TBD	TBD	735029334408	Frame, Casters, Feet & Mounting Hardware	1

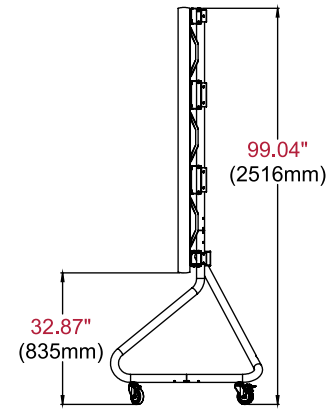
All dimensions = inch (mm)



FRONT VIEW



SIDE VIEW WITH CABINET



SIDE VIEW WITH CASTERS & CABINET

Architect Specifications

The Cart/Stand shall be a Peerless-AV model DS-LEDCLAAF-3x3 and shall be located where indicated on the plans. Assembly and installation shall be done according to instructions provided by the manufacturer.

Visit peerless-av.com to see the complete line of AV solutions from Peerless-AV, including outdoor displays, wireless, kiosks, digital audio, display mounts, projector mounts, carts/stands, and a full assortment of accessories.

Peerless-AV
2300 White Oak Circle
Aurora, IL 60502 USA
(800) 865-2112
(630) 375-5100
Fax: (800) 359-6500

Peerless-AV EMEA
Unit 3 Watford Interchange
Colonial Way, Watford
Herts, WD24 4WP
United Kingdom
+44 (0) 1923 200100
Fax: +44 (0) 1923 200101

Peerless-AV Latin America
Av. de las Industrias 413
Parque Industrial Escobedo
General Escobedo, N.L.,
México, 66062
+52 (81) 8384-8300
Fax: +52 (81) 8384-8360

