

# SF680P-HUB2



**Mounting Pattern**  
1100 x 650mm  
(43.29" x 25.59")

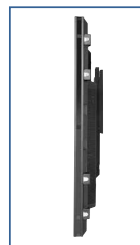
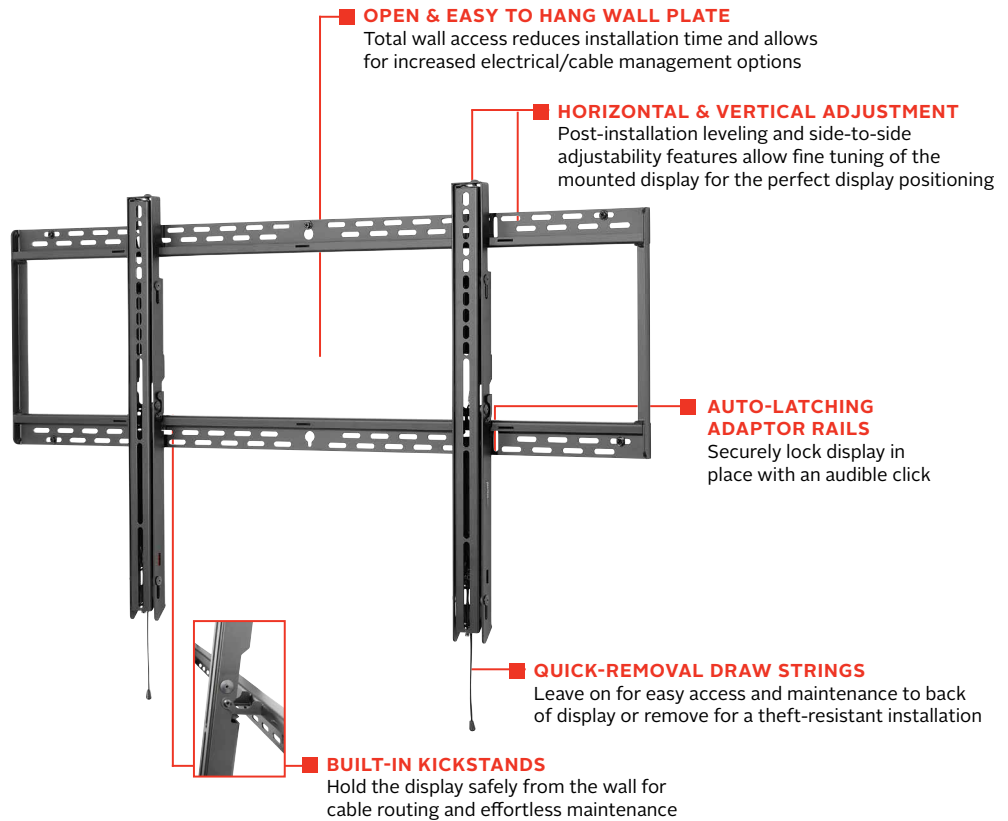


**Max Load**  
350lb  
(158kg)

- Specifically designed for the 85" Microsoft® Surface™ Hub 2S/2X
- Product complies with the Microsoft Site Readiness Guide
- Universal mount fits displays with mounting patterns up to 1100 x 650mm (43.29" W x 25.59" H)
- Low-profile design holds display only 1.73" (44mm) from the wall
- Easy hang wall plate allows a bolt to be pre-installed to ease wall plate installation
- Lateral display adjustment up to 19.25" (489mm)
- 1" of post-installation vertical adjustment provides flexibility after installation
- Includes fastener pack with all necessary mounting and display attachment hardware (including M10)
- Includes standard hardware installed with a Philips screwdriver

# SMARTMOUNT® Universal Flat Wall Mount FOR THE 85" MICROSOFT® SURFACE™ HUB 2S/2X

Peerless-AV's SmartMount® SF680P-HUB is designed specifically for the 85" Microsoft® Surface™ Hub 2S/2X. Installation and maintenance are made easy with the SF680P-HUB2's robust feature set. Auto-latching adaptor rails automatically secure the display without the use of a tool. The mount's built-in kickstand holds the display safely from the wall during cable routing, while the open wall plate allows for increased electrical and cable management options. Horizontal and vertical display adjustment allow for quick fine-tuning of the mounted display. The included spacers and custom length bolts provide proper clearance around the 85" Surface™ Hub 2S/2X compute module.



Low-profile design for a sleek, yet compact installation.



Includes spacer and hardware for 85" Microsoft® Surface™ Hub 2S/2X



Please visit [peerless-av.com/en-us/patents](http://peerless-av.com/en-us/patents) for patent information.

\*This display size range is simply a guideline for product selection. Displays larger than the screen size range may still be compatible as long as they fall within the VESA® pattern and max weight of the Peerless-AV® product.

SF680P-HUB2 SmartMount® Universal Flat Wall Mount for the 85" Microsoft® Surface™ Hub 2S/2X

**Product Specifications**

	DIMENSIONS (W x H x D)	PRODUCT WEIGHT	LOAD CAPACITY	FINISH	AVAILABLE COLORS
SF680P-HUB2	45.75" x 27.48" x 1.73" (1162 x 698 x 44mm)	17.4lb (7.9kg)	350lb (158kg)	Scratch Resistant Fused Epoxy	Semi-Gloss Black

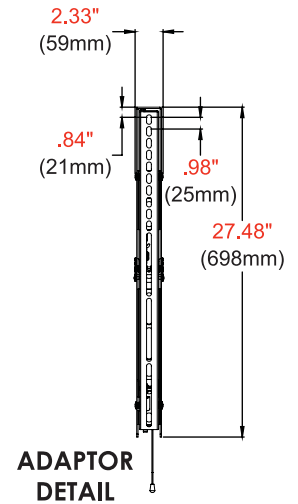
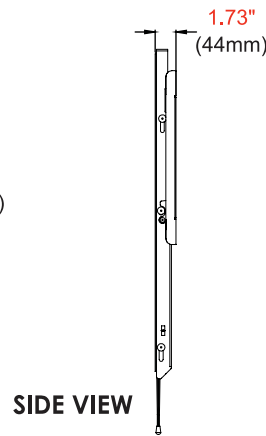
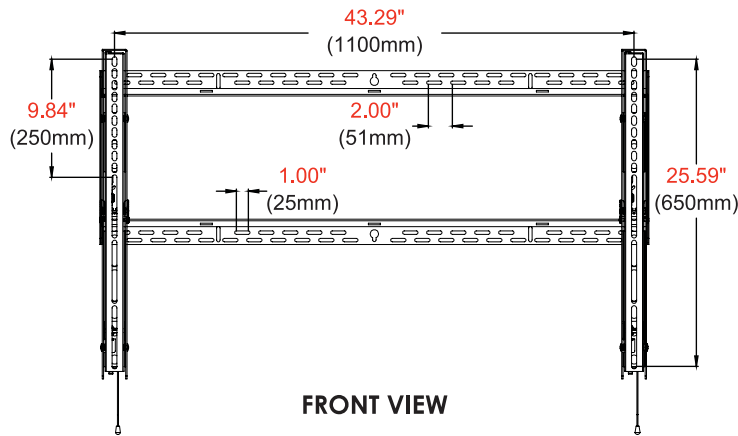
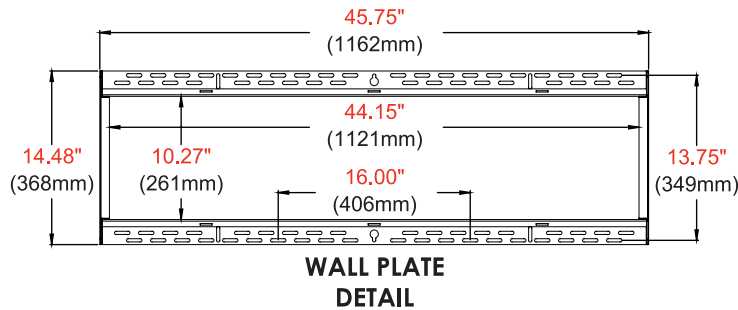
**Package Specifications**

	PACKAGE SIZE (W x H x D)	PACKAGE SHIP WEIGHT	PACKAGE UPC CODE	PACKAGE CONTENTS	UNITS IN PACKAGE
SF680P-HUB2	46.70" x 2.30" x 15.40" (1185 x 58 x 390mm)	20.4lb (9.3kg)	735029343844	Wall Mount, Wall Mount Hardware, Spacers, Screws and Lock Washers for the 85" Microsoft® Surface™ Hub 2S/2X, Installation Instructions	1

**Accessories**

- ACC615:** 6-pack Metal Stud Fastener Kit
- ACC309:** Video Conference Shelf
- ACC-UCM:** Universal AV Component Mount
- ESHV models:** AV Wall Shelves
- IBA4-W:** Easy Mount Recessed Low Voltage Cable Plate

All dimensions = inch (mm)



**Architect Specifications**

The SmartMount® Universal Flat Wall Mount for the 85" Microsoft® Surface™ Hub 2S/2X shall be a Peerless-AV model SF680P-HUB2 and shall be located where indicated on the plans. Assembly and installation shall be done according to instructions provided by the manufacturer.

Visit [peerless-av.com](http://peerless-av.com) to see the complete line of AV solutions from Peerless-AV, including outdoor displays, kiosks, display mounts, projector mounts, carts/stands, and a full assortment of accessories.

**Peerless-AV**  
2300 White Oak Circle  
Aurora, IL 60502 USA  
**(800) 865-2112**  
**(630) 375-5100**  
**Fax: (800) 359-6500**

**Peerless-AV EMEA**  
Unit 3 Watford Interchange  
Colonial Way, Watford  
Herts, WD24 4WP  
United Kingdom  
**+44 (0) 1923 200100**  
**Fax: +44 (0) 1923 200101**

**Peerless-AV Latin America**  
Av. de las Industrias 413  
Parque Industrial Escobedo  
General Escobedo, N.L.,  
México, 66062  
**+52 (81) 8384-8300**  
**Fax: +52 (81) 8384-8360**

