

DS-MBZ942L-2X1
DS-MBZ947L-2X1



Mounting Pattern

DS-MBZ942L-2X1: 1769 x 400mm
DS-MBZ947L-2X1: 1960 x 400mm



Max Load
200lb
(90.9kg)

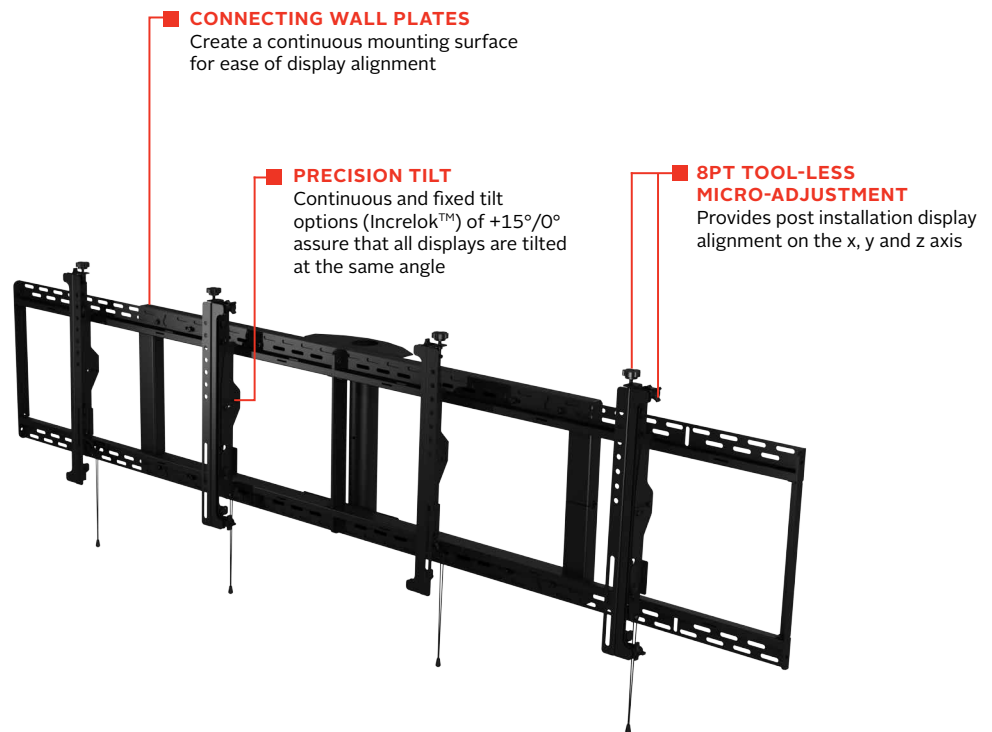
SMARTMOUNT.

Digital Menu Board Ceiling Mount with 8pt Adjustment - Landscape

2X1 CONFIGURATION FOR 40" TO 55" DISPLAYS

Peerless-AV's quick service restaurant (QSR) Menu Board Ceiling Mount is designed to create a seamless mounting surface through connecting wall plates. Continuous and fixed tilt options allow all displays to be tilted at the same angle with ease, creating flawless alignment. The QSR Menu Board Mount has a tool-less 8pt adjustment to position all of the displays on the same plane. Quick connect adaptor rails quickly attach to the support frame with an auto latch, easing the set up and making the QSR Menu Board Mount the perfect mounting solution.

- Quick connect latch automatically engages the wall plate when mounting the display for a speedy set-up and peace of mind
- Horizontal adjustment allows the installer to create a menu board with a seamless appearance
- Included security hardware deters tampering and theft
- Tool-less four corner depth adjustment aligns the displays on the same plane
- DS-MBZ942L-2X1: Landscape configuration for 40"-42" displays with mounting hole patterns 1769 x 400mm (69.65"W x 15.75"H)
- DS-MBZ947L-2X1: Landscape configuration for 46"-55" displays with mounting hole patterns 1960 x 400mm (77.15"W x 15.75"H)



Please visit peerless-av.com/en-us/patents for patent information.

✉ info@peerless-av.com
🌐 peerless-av.com

peerless-AV[®]
Driving Technology Through Innovation

DS-MBZ942L-2X1	SmartMount® Digital Menu Board Ceiling Mount with 8pt Adjustment 2x1 Configuration for 40"-42" Displays - Landscape
DS-MBZ947L-2X1	SmartMount® Digital Menu Board Ceiling Mount with 8pt Adjustment 2x1 Configuration for 46"-55" Displays - Landscape

Product Specifications

	DIMENSIONS (W x H x D)	PRODUCT WEIGHT	LOAD CAPACITY	FINISH	AVAILABLE COLORS
DS-MBZ942L-2X1	72.16" x 19.49" x 7.47" (1833 x 495 x 190mm)	49.1lb (22.3kg)	200lb (90.9kg)	Matte/Flat	Black
DS-MBZ947L-2X1	78.60" x 19.49" x 7.47" (1996 x 495 x 190mm)	50.1lb (22.8kg)			

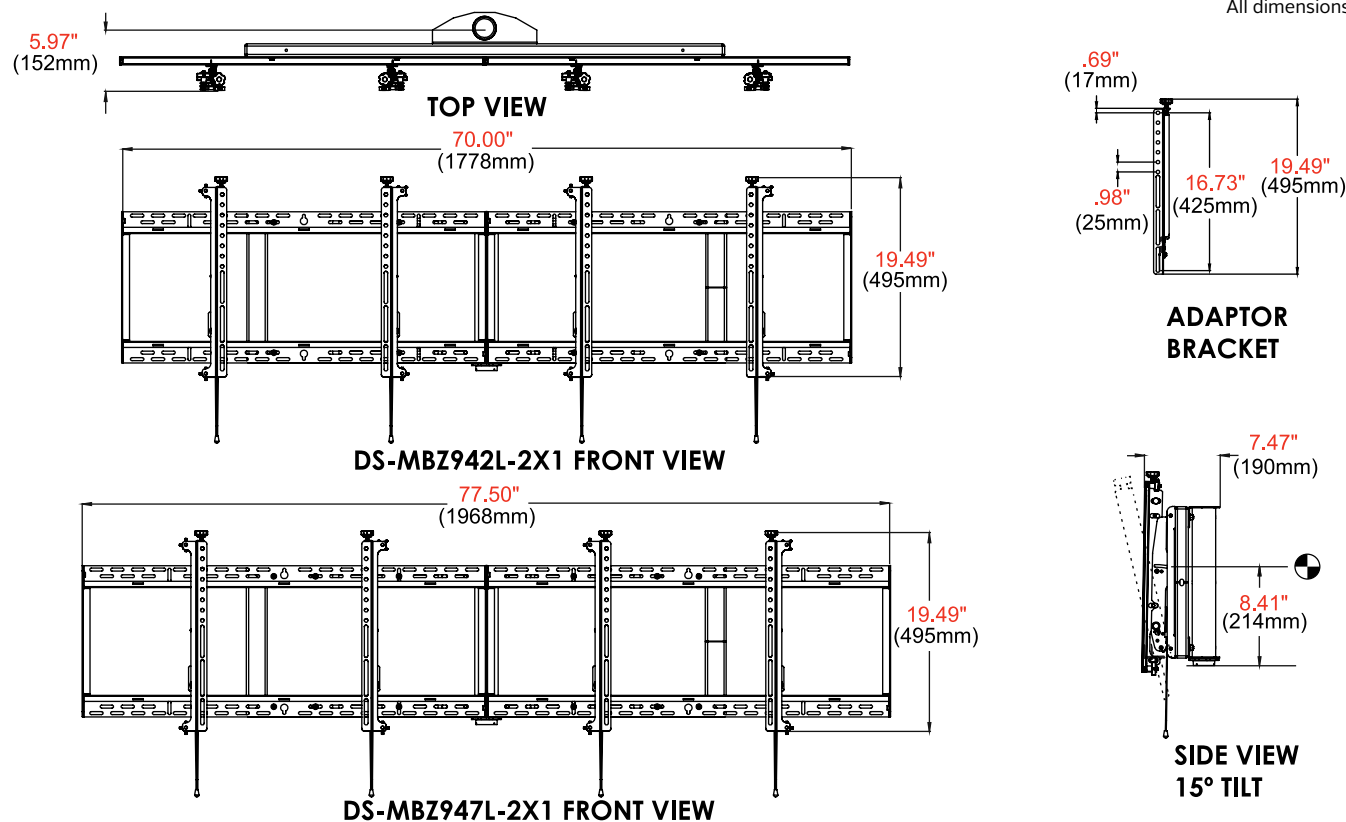
Package Specifications

	PACKAGE SIZE (W x H x D)	PACKAGE SHIP WEIGHT	PACKAGE UPC CODE	PACKAGE CONTENTS	UNITS IN PACKAGE
DS-MBZ942L-2X1	47.00" x 17.00" x 13.50" (1194 x 432 x 343mm)	64.1lb (29.1kg)	735029308157	Mount Frame, Adaptor Rails and Display Mounting Hardware	1
DS-MBZ947L-2X1		65.1lb (29.6kg)	735029308171		

Accessories

ADD, EXT Models: Ceiling Extensions (ADD0203*-ADD1012, EXT018 - EXT110) <small>*Minimum obtainable length is 31"</small>	DCS, DCT Models: Ceiling Plates MOD-P100/150/200/300(-B): MOD-CPF, MOD-CPI, MOD-CPC: MOD-ASC:	Ceiling Plates Modular Series Ceiling Pole Modular Series Ceiling Plates Display Mount Stacking Clamp
ACC-MBS: Menu Board Shelf		

All dimensions = inch (mm)



Architect Specifications

The SmartMount® Digital Menu Board Ceiling Mount with 8pt Adjustment shall be a Peerless-AV model DS-MBZ942L-2X1 or DS-MBZ947L-2X1 and shall be located where indicated on the plans. Assembly and installation shall be done according to instructions provided by the manufacturer.

Visit peerless-av.com to see the complete line of AV solutions from Peerless-AV, including outdoor displays, kiosks, display mounts, projector mounts, carts/stands, and a full assortment of accessories.

Peerless-AV
2300 White Oak Circle
Aurora, IL 60502
USA
(800) 865-2112
(630) 375-5100

Peerless-AV EMEA
Unit 2 Curo Park
Frogmore, St. Albans
Hertfordshire, AL2 2DD
United Kingdom
+44 (0) 1923 200 100

Peerless-AV B.V.
Papendorpseweg 75
3528 BJ Utrecht
The Netherlands
+31 (0) 70 770 8037

Peerless-AV Latin America
Av. de las Industrias 413
Parque Industrial Escobedo
General Escobedo, N.L.,
México, 66062
+52 (81) 8384-8300

