

IWB600-UNIV

Universal Whiteboard Mount

For attaching over existing marker boards and chalkboards



The IWB600-UNIV universal wall mount is a cost effective solution for effortlessly adding interactive whiteboards to the classroom and boardroom. Designed to fit directly over the existing chalkboard, the mount is easy to install and simple to adjust. This universal design clamps to most boards while also maintaining dedicated mounting hole patterns for a select group. Please see the features bullets for dedicated board compatibility.

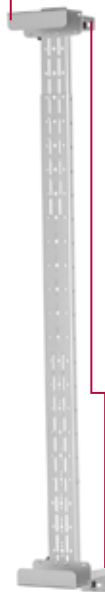


Max load: 70lb (32kg)

FEATURES

- Hook-on design simplifies the installation
- Universal brackets clamp to the outside of the board
- Depth adjustability
- Mounts over an existing marker board/chalkboard
- In addition to universal brackets, dedicated mounting holes for the following boards:
 - 64" SMART Board SB660
 - 77" SMART Board SB680
 - 77" Marsh Board PR4050000
 - 63" Hitachi Starboard DUO
 - 77" Hitachi Starboard DUO
 - 77" Hitachi Starboard TRIO
 - 88" Hitachi Starboard DUO
 - 77" Interwrite DualBoard 1277
 - 64" ActivBoard 164
 - 78" ActivBoard 178
 - 78" ActivBoard 378 PRO
 - 87" ActivBoard 387 PRO
 - 95" ActivBoard 395 PRO
- Some whiteboards may require bumpers, ACC956, to be added between the mount and the board in order to make the board more rigid

■ **UNIVERSAL DESIGN**
Four individual clamps enable virtually any board up to 1.75" thick to be easily mounted



■ **ADJUSTABLE DEPTH**
Mounts over virtually any existing chalk-board, even boards with chalkboard trays, by quickly and easily adjusting the mounts depth



■ **ADJUSTABLE RANGE**
Telescoping vertical rails allow the mount to accommodate existing boards up to 76" (1930mm) tall

■ **WHITEBOARD ATTACHMENT VERSATILITY**
Unique design allows for universal compatibility via adjustable bezel clamps and dedicated mounting hole patterns for industry leading whiteboards



IWB600-UNIV shown with the whiteboard



Depth Adjustability



Universal Clamp

IWB600-UNIV: Universal Whiteboard mount for attaching over existing marker boards and chalkboards

Product Specifications

	DIMENSIONS (W x H x D)	PRODUCT WEIGHT	LOAD CAPACITY	FINISH	AVAILABLE COLORS
IWB600-UNIV	Each Rail: 6" x 48" x 5.82" (152 x 1219 x 148mm)	17lb (7.7kg)	70lb (32kg)	Powder coat	Silver

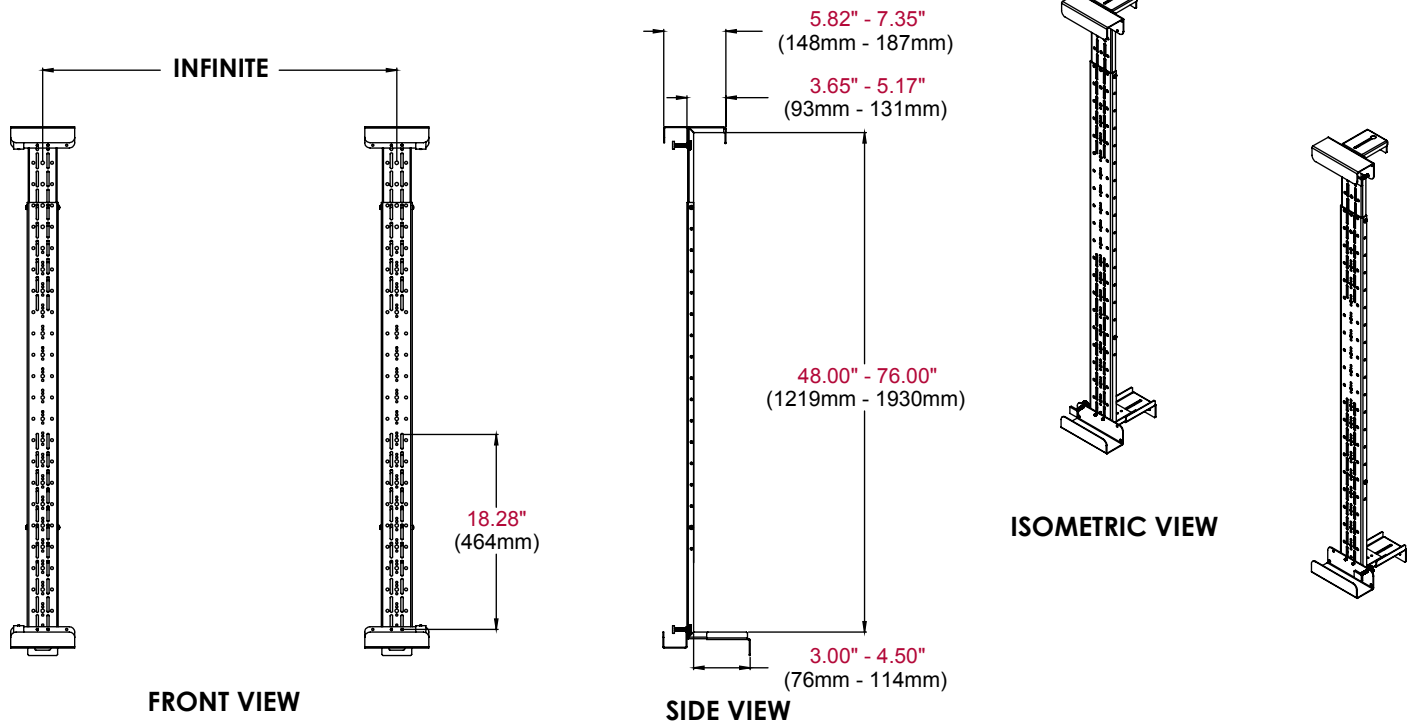
Package Specifications

	PACKAGE SIZE (W x H x D)	PACKAGE SHIP WEIGHT	PACKAGE UPC CODE	PACKAGE CONTENTS	UNITS IN PACKAGE
IWB600-UNIV	45" x 5.75" x 3.25" (1143 x 146 x 82mm)	18.5lb (8.4kg)	735029274667	Wall brackets, vertical rails and whiteboard attaching hardware	1

Accessories

ACC956: Adhesive Bumpers

All dimensions = inch (mm)



ARCHITECTS SPECIFICATIONS

The Whiteboard mount shall be a Peerless model IWB600-UNIV and shall be located where indicated on the plans. It shall be constructed of heavy gauge cold rolled steel and finished with scratch resistant silver fused epoxy. Assembly and installation shall be done according to instructions provided by the manufacturer.