

ACCXT201

Soundbar Speaker Accessory

Compatible with Peerless-AV™ PP740, PA740, SP740P and SA740P mounts

The Soundbar Speaker Accessory from Peerless-AV™ is the perfect solution for mounted flat panels. Now Soundbar speakers can fit neatly under the display, without having to retrofit them into walls or find a place to put them. Designed to make installations simple, the expandable speaker brackets expand and contract to fit the mounting hole patterns of most brands of Soundbar speakers. And it looks great, too; the height is easily adjusted for perfect placement, the low profile design keeps the slim aspect of the mount, and a speaker bracket cover creates a clean look at virtually any angle.

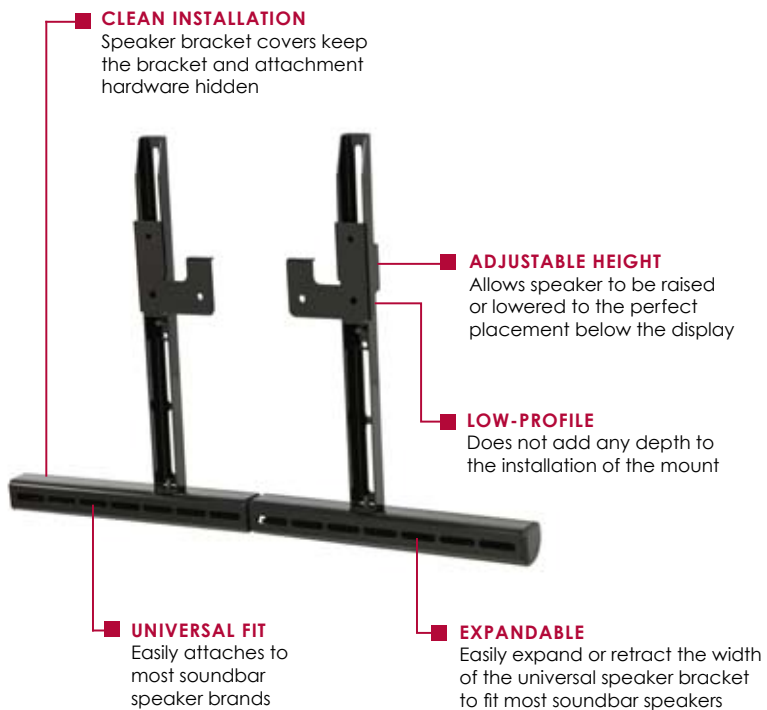


Max load: 10lb (4.5kg)



FEATURES

- Universal, fits most soundbar speaker brands
- Compatible with Peerless-AV PP740, PA740, SP740P and SA740P mounts
- Expandable design makes it easy to expand or contract the mounting hole pattern to match the soundbar speaker
- Speaker bracket covers complement the look of the mount by hiding the bracket and attachment hardware and creating a clean, finished installation



Shown attached to Peerless-AV SA740P mount

RoHS

ACCXT201 Soundbar Speaker Accessory compatible with Peerless-AV PP740, PA740, SP740P and SA740P mounts

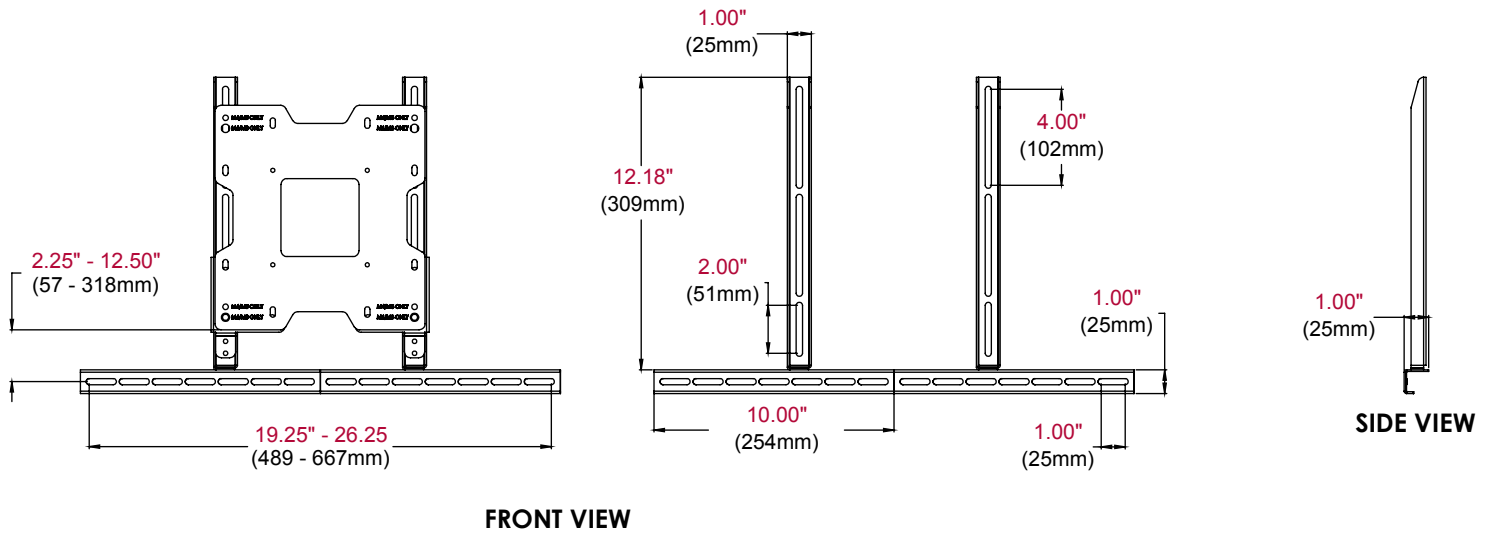
Product Specifications

	DIMENSIONS (W x H x D)	PRODUCT WEIGHT	LOAD CAPACITY	FINISH	AVAILABLE COLORS
ACCXT201	10.00" x 13.18" x 1.00" (254 x 334 x 25mm)	1.85lb (.84kg)	10lb (4.5kg)	Powder coat	High Gloss Black

Package Specifications

	PACKAGE SIZE (W x H x D)	PACKAGE SHIP WEIGHT	PACKAGE UPC CODE	PACKAGE CONTENTS	UNITS IN PACKAGE
ACCXT201	6.375" x 3.25" x 13.56" (162 x 83 x 344mm)	2.5lb (1.13kg)	735029279976	Universal speaker mount, mount attachment hardware, installation instructions	1

All dimensions = inch (mm)



ARCHITECTS SPECIFICATIONS

The accessory shall be a Peerless-AV model ACCXT201 and shall be located where indicated on the plans. It shall feature scratch resistant black fused epoxy finish. Assembly and installation shall be done according to instructions provided by the manufacturer.