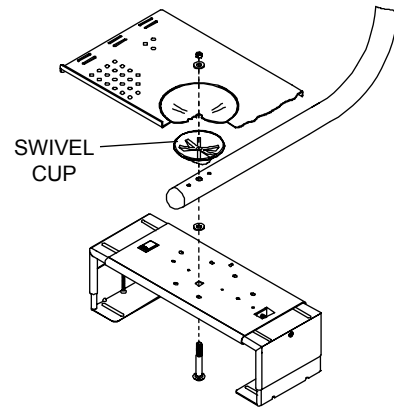
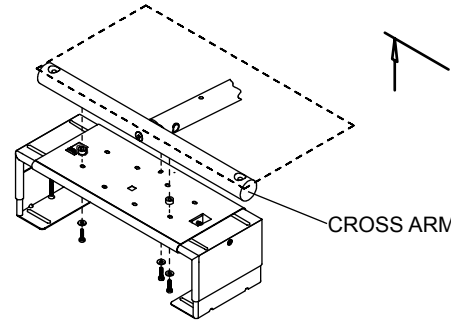


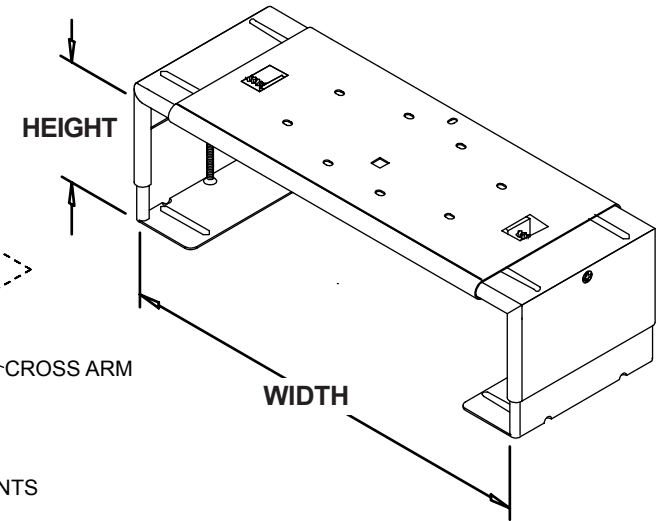
MODEL #	WEIGHT	SHIPPING WEIGHT
DS25, DS25-SV	3.5 lb (1.6 kg)	4.0 lb (1.8 kg)
DS35, DS35-SV, DS35S-SV	4.2 lb (1.9 kg)	5.0 lb (2.3 kg)
DS40, DS40-SV, DS40S-SV	4.4 lb (2.0 kg)	6.0 lb (2.7 kg)
DS 45, DS 45S-SV	6.0 lb (2.7 kg)	7.0 lb (3.2 kg)



ATTACHMENT TO TV MOUNTS WITH SWIVEL CUP



ATTACHMENT TO TV MOUNTS WITH CROSS ARM



MAX. LOAD CAPACITY: 50.0 lb (22.7 kg)

MODEL #	INSIDE DIMENSIONS		VCR/DVD/DVR DIMENSIONS	
	WIDTH (W)	HEIGHT (H)	MAXIMUM	MINIMUM
DS25, DS25-SV	13.25" - 17.25" (337 mm - 438 mm)	1.5" - 2.75" (38 mm - 70 mm)	17.25" x 2.5" (438 mm x 64 mm)	13.25" x 1.75" (337 mm x 44 mm)
DS35, DS35-SV, DS35S-SV	10.25" - 14.25" (260 mm - 362 mm)	2.69" - 4.5" (68 mm - 114 mm)	14.25" x 4.25" (362 mm x 108 mm)	10.25" x 3" (260 mm x 76 mm)
DS40, DS40-SV, DS40S-SV	13.25" - 17.25" (337 mm - 438 mm)	2.69" - 4.5" (68 mm - 114 mm)	17.25" x 4.25" (438 mm - 108 mm)	13.25" x 3" (337 mm - 76 mm)
DS45, DS45S-SV	13.25" - 17.25" (337 mm - 438 mm)	4.25" - 5.75" (108 mm - 146 mm)	17.25" x 5.75" (438 mm x 146 mm)	13.25" x 4.5" (337 mm x 114 mm)

The VCR/DVD/DVR Mount attaches below a Peerless® TV mount and is designed to surround and clamp the VCR/DVD/DVR. All mounting hardware is provided for attachment to the corresponding TV mount styles pictured (above left).

Features

- All-steel construction
- Scratch resistant black or silver fused epoxy finish
- Four sizes available
- Screws for attachment to the corresponding TV mount styles included

Architects Specifications:

The VCR/DVD/DVR Mount shall be a Peerless model DS _____. It shall be constructed of heavy gauge cold rolled steel. It shall feature adjustable height and width in a design that surrounds and clamps the VCR/DVD/DVR. The point of attachment shall be to a Peerless TV mount specified as compatible by the manufacturer. The finish shall be scratch resistant black or silver fused epoxy. Assembly and installation shall be done according to instructions provided by the manufacturer.

**TECHNICAL DATA SHEET
VCR/DVD/DVR MOUNT**

Peerless Industries, Inc.

2300 White Oak Circle
Aurora, IL 60502

phone: (800) 865-2112
fax: (800) 359-6500

ISSUED: 8-22-97 SHEET NO:081-9512-4 06-08-11