



MODELS: SPK811, SPK811W

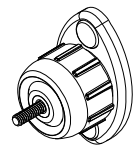
These **Universal Wall and Ceiling Speaker Mounts** are designed for mounting most mini, satellite and bookshelf style speakers weighing up to 20 lb. With these mounts the speaker can be positioned anywhere in a room to achieve optimal sound quality. These mounts are ideal for home theater applications.

Features:

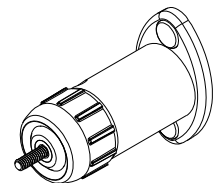
- Ball and socket design provides 75° of rotation for positioning the direction of the speaker
- Speaker wires can be hidden for a more aesthetically appealing installation
- Concealed mounting screws
- Can be assembled as a flush mount or used with 3" extension
- Includes hardware for wood studs, metal studs, concrete and drywall
- Fastener pack contains hardware for mounting most commercially available speakers
- Available in black or white (W)

Fasteners Included:

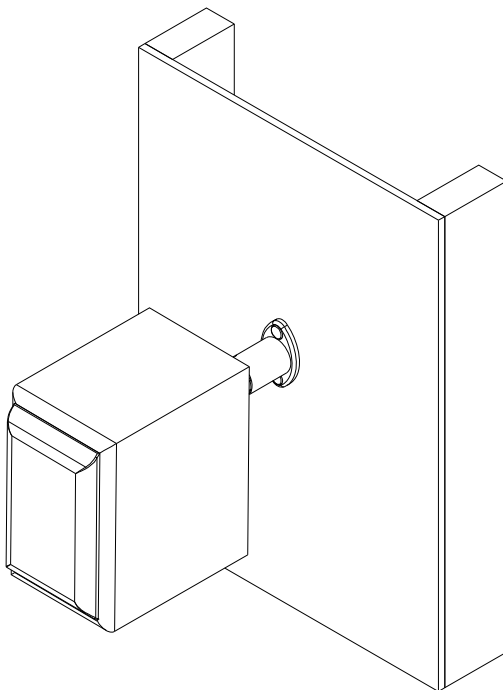
- Works with speakers that have single or multiple threaded inserts of the following sizes: 1/4-20, 4mm, 5mm, 6mm or 10-32*
 - Works with speakers that have a keyhole slot mounting interface
 - Includes small steel plates and woodscrews for speakers with no mounting interface
- * NOTE: Steel plates are also used on the speakers with multiple threaded inserts.



MOUNTED FLUSH



MOUNTED WITH EXTENSION



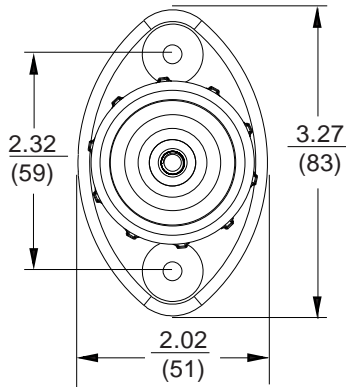
ISOMETRIC VIEW

WEIGHT	SHIPPING WEIGHT	MAX. LOAD
.72 lbs (.3 kg)	.9 lbs (.4 kg)	20 lbs (9 kg)

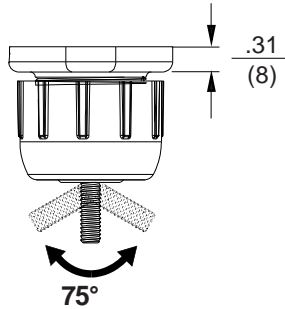
TECHNICAL DATA SHEET

MODELS: SPK811, SPK811W

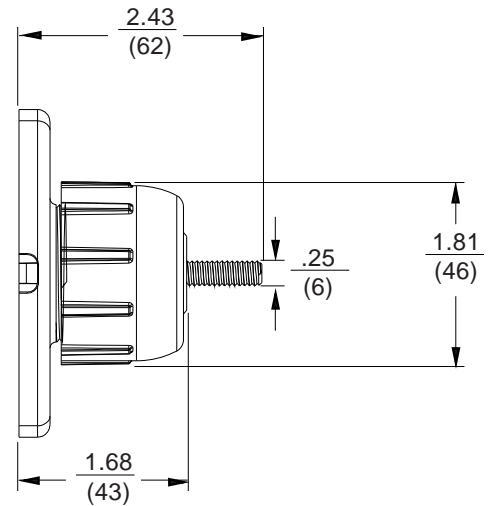
All dimensions: $\frac{\text{inch}}{\text{(mm)}}$



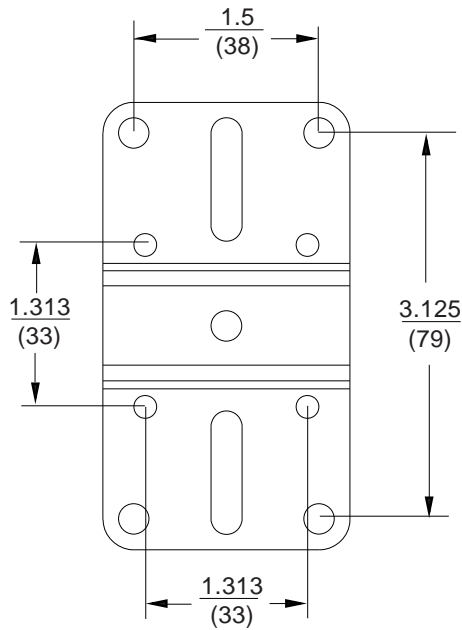
FRONT VIEW



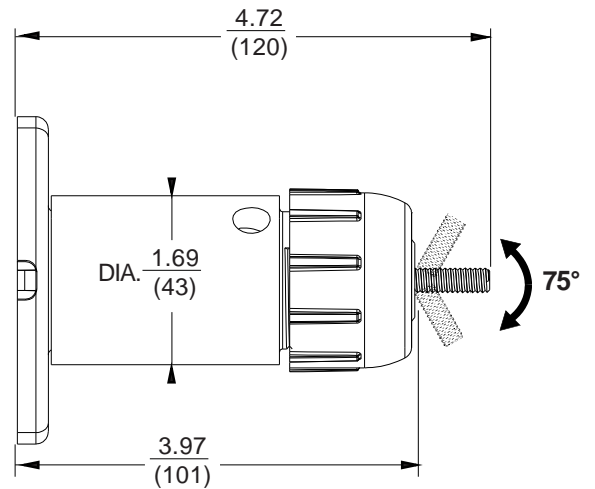
TOP VIEW



SIDE VIEW



**MOUNTING PLATE
TOP VIEW**



**SIDE VIEW
WITH EXTENSION**

ARCHITECTSSPECIFICATIONS:

The speaker mount shall be a Peerless Universal Speaker Mount model _____ and shall be located where indicated on the plans. The speaker mount shall be constructed of engineered polymer materials. It shall feature adjustable swivel. Assembly and installation shall be done according to instructions provided by the manufacturer.