

# TECHNICAL DATA SHEET - Flat Panel Stand for 50" – 71" Plasma Screens

**peerless**<sup>®</sup>  
Solid Solutions - Solid Support™

**MODEL: FPZ-670**

The only stand on the market designed to hold extra large flat panels. The FPZ-670 easily supports up to two 50" to 71" screens back-to-back on one of the sharpest looking, most robust and functional stands ever. This stand is complemented by its sturdy base that provides plenty of concealed room for content drivers and surge protectors. Its internal cable management system conceals cables and cords, delivering a clean look for any application.

**Features:**

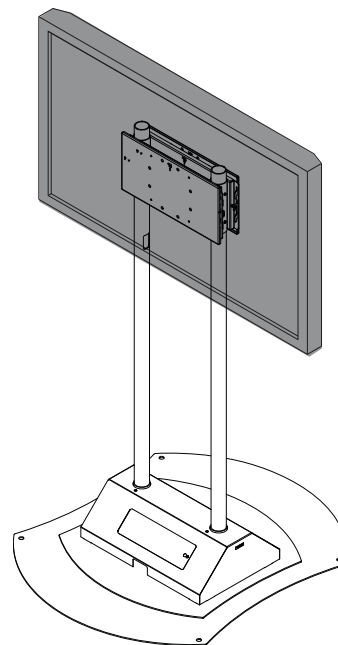
- Fits single or two back-to-back 50" – 71" flat panel screens
- Up to Vesa<sup>®</sup> 200 x 200 mm compliant
- Supports non-Vesa<sup>®</sup> screens with additional PLP screen adapter plate (sold separately)
- Internal cable management to easily route cords from the screen to the base of the stand
- Base cover is designed to conceal content drivers and surge protectors
- Vertical adjustment on 6' columns for ideal screen viewing height
- Hook-on design allows screen to rest in place while screen is being secured
- Portrait or landscape orientation
- UL tested

**Dimensions:**

**Weight:**  
194.4 lb (88.1 kg)

**Total Shipping weight:**  
202.7 lb (92 kg)

Max Load Capacity 400 lb (181.4 kg)  
200 lb (90.7 kg) Max Load Capacity per screen



**Shipping Carton dimensions and weight:**  
**BOX 1**

L= 50 in. (1270 mm)  
W= 41.625 in. (1057 mm)  
H=8.75 in. (222 mm)  
Shipping weight: 167.5 lb (75.9 kg)

**BOX 2**

L= 72 in. (1829 mm)  
W= 4 in. (102 mm)  
H= 4 in. (102 mm)  
Shipping weight: 17.6 lb (7.9 kg)

**BOX 3**

L= 72 in. (1829 mm)  
W= 4 in. (102 mm)  
H= 4 in. (102 mm)  
Shipping weight: 17.6 lb (7.9 kg)

## ARCHITECTS SPECIFICATIONS

The Flat Panel Stand shall be a Peerless model **FPZ-670** and shall be installed where indicated on the plans. It shall be constructed of heavy gauge cold rolled steel, steel tubing and finished with scratch resistant Black Fused Epoxy. Assembly and installation shall be done according to instructions provided by the manufacturer.

Peerless Industries, Inc.  
2300 White Oak Circle. Aurora, IL 60502  
800-865-2112 Fax 708-865-2941  
[www.peerlessmounts.com](http://www.peerlessmounts.com)

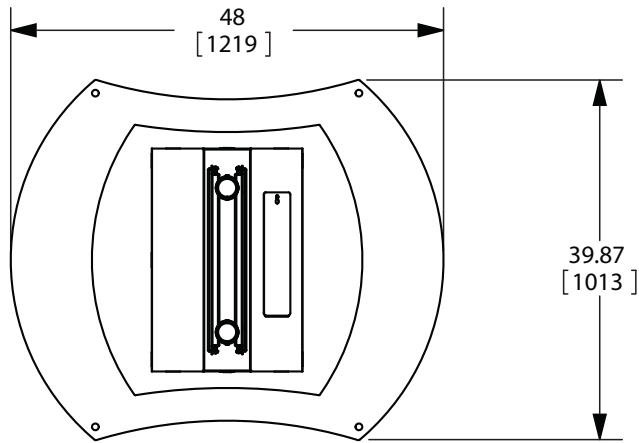
ISSUED: 05-15-08 SHEET NO: 202-9581-2 04-08-11

© 2011 Peerless Industries, Inc. All rights reserved.  
Peerless is a registered trademark of Peerless Industries, Inc.  
All other brand and product names are trademarks or registered trademarks of their respective owners.

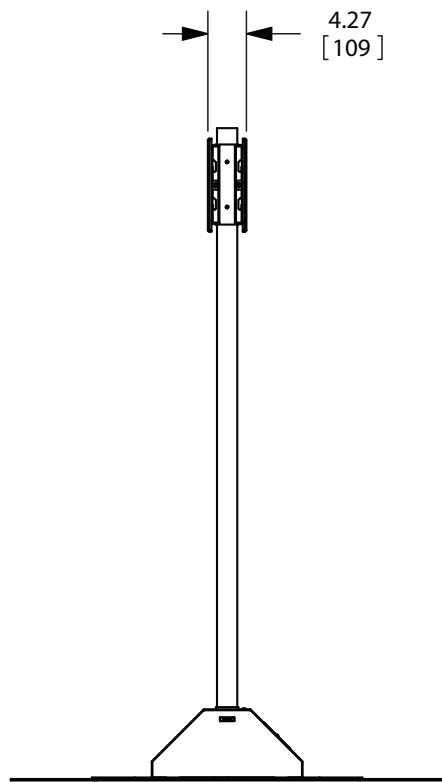
TECHNICAL DATA SHEET

**MODEL: FPZ-670**

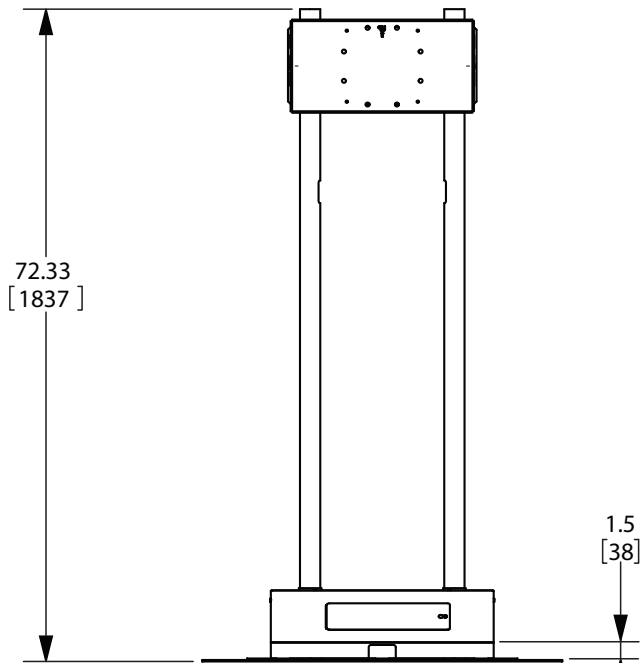
ALL DIMENSIONS = INCH  
(MM)



**Top View**



**Right View**



**Front View**